



Lower Limb Prosthetic Catalogue

Issue 17





Contents

Introduction	4-5
Activity Level Guide	6-9
Integrated Limb System	10-13
Knees	14-35
Feet	36-77
Junior	78-89
Controls	90-93
Adapters	94-113
Liners	114-119
Cosmesis	120-127
Socket Technology	128-130
Workshop Equipment	131-137
Index	139
Warranty Information	140
Global Warranty Statement	141

Corporate Overview

Blatchford is committed to being a global leader in prosthetics and helping to change thousands of lives for the better through providing safe, effective and life-enhancing prostheses and clinical services.

For more than 125 years we have maintained a continuous relationship directly with the people who use artificial limbs. In the UK we operate limb fitting centre contracts for the NHS, and work closely with a network of distributors across the globe.





Blatchford is one of the world's longest established prosthetics companies. Our corporate headquarters is located in the UK, with additional clinical, manufacturing, research and development locations around the world. Our latest innovation, Linx, is a radical development in rehabilitation: an integrated, microprocessor controlled system in which the knee and foot work seamlessly together to ensure perfect gait response on all kinds of terrain. Recent innovations include the Elan foot and Orion3 knee, the former an award winning, unique, technology concept: the latter a sophisticated microprocessor controlled knee with self-programming ability and adaptive speed control.

Some of our major awards include: four Queen's Awards for Technological Achievement and Export, Design Council Award, Prince of Wales Award for Innovation, Millennium Products, British Engineering Excellence, IOD, EEF and BHTA, Design for Living Award. 2016 was a successful year for Linx, winning the prestigious MacRobert Award, presented by the Royal Academy of Engineering, and later winning a German Design Award.



endolite



Activity Levels

Prescription Activity Level Guide



Has the ability or potential to use a prosthesis for transfers or ambulation on level surfaces at fixed cadence. Typical of the limited and unlimited household ambulator.



Has the ability or potential for ambulation with the ability to traverse low level environmental barriers such as curbs, stairs, or uneven surfaces. Typical of the limited community ambulator.



Has the ability or potential for ambulation with variable cadence. Typical of the community ambulator who has the ability to traverse most environmental barriers and may have vocational, therapeutic, or exercise activity that demands prosthetic utilization beyond simple locomotion.



Has the ability or potential for prosthetic ambulation that exceeds basic ambulation skills, exhibiting high impact, stress, or energy levels. Typical of the prosthetic demands of the child, active adult, or athlete.

Prescription Impact Level Guide

Low	Daily walking and occasional sports such as golf and hiking
Moderate	Aggressive walking, frequent or daily sports such as jogging
High	Daily activities such as distance running, climbing, lifting and carrying heavy objects for vocational purposes

Notes

1. The maximum user weight/activity guidelines provided on our catalogue product pages and Clinician's Manuals give the ideal functional prescription, this may vary by region or reimbursement system. Our instructions for use provide structural safety levels which may differ.
2. The weight limit on the complete prosthesis is determined by its lowest rated component.
3. The weight limit applies to all products unless stated otherwise.
4. Before assembly always refer to the appropriate technical information.
5. See Blatchford website for latest product information.

Product	Level 1	Level 2	Level 3	Level 4
---------	---------	---------	---------	---------

Integrated Limb System

Linx 

Product	Level 1	Level 2	Level 3	Level 4
---------	---------	---------	---------	---------

Microprocessor Knees

Orion3   

Smart IP  

Hydraulic Knees



KX06  

Mercury  

ESK+  

Locking and Free Option Knees



ESK+ MKL   

S200  

S400  

S500  

Compact SAKL  

Aqualimb TF  

Product	Level 1	Level 2	Level 3	Level 4
---------	---------	---------	---------	---------

Junior

Mini BladeXT  

Child's 4-bar Knee    

Activity Levels

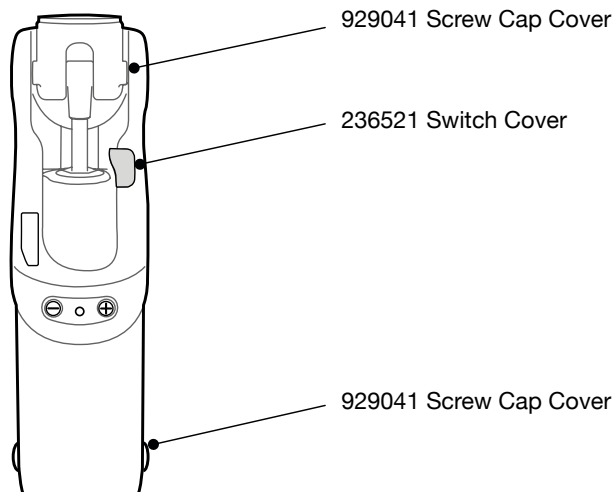
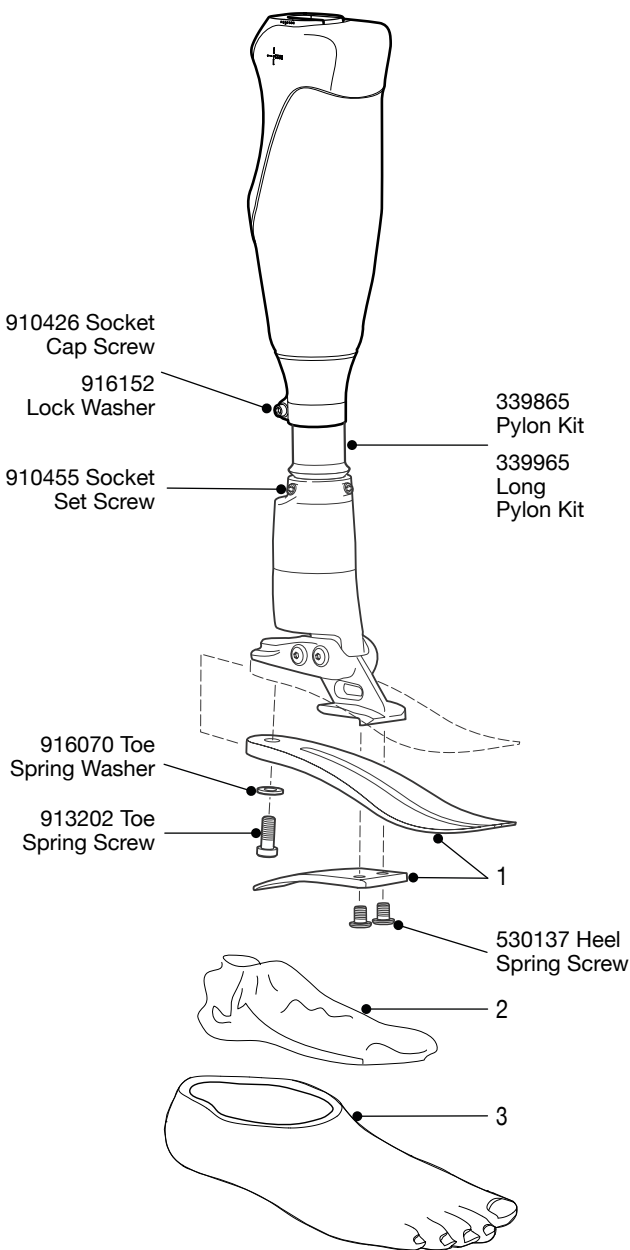
Product	Level 1	Level 2	Level 3	Level 4
Feet With Dynamic Foot Springs				
Elan				
EchelonVAC				
EchelonVT				
Echelon				
Elite2				
EliteVT				
Epirus				
Esprit				
Elite Blade				
Elite BladeVT				
BladeXT				
Javelin				
Feet With Resilient/Cushioned Ankle Function				
Avalon ^{K2}				
Navigator				
Multiflex <small>Standard/Slim/ Special Edition</small>				
SuperSACH				
Senior				
Aqualimb TT				



Integrated Limb System



Linx Schematics



1 Spring Kits:

Foot Size	Foot Size	Foot Size	Foot Size
22-24	25-26	27-28	29-30
Set 1 - 539801	Set 1 - 539810	Set 1 - 539819	Set 1 - 539828
Set 2 - 539802	Set 2 - 539811	Set 2 - 539820	Set 2 - 539829
Set 3 - 539803	Set 3 - 539812	Set 3 - 539821	Set 3 - 539830
Set 4 - 539804	Set 4 - 539813	Set 4 - 539822	Set 4 - 539831
Set 5 - 539805	Set 5 - 539814	Set 5 - 539823	Set 5 - 539832
Set 6 - 539806	Set 6 - 539815	Set 6 - 539824	Set 6 - 539833
Set 7 - 539807	Set 7 - 539816	Set 7 - 539825	Set 7 - 539834
Set 8 - 539808	Set 8 - 539817	Set 8 - 539826	Set 8 - 539835

2 Glide Sock: 22-26 - 531011, 27-30 - 532811

3 Foot shells:*

Left	Part Number	Right	Part Number
22L	539038E	22R	539039E
23L	539040E	23R	539041E
24L	539042E	24R	539043E
25L	539044	25R	539045
26L	539046	26R	539047
27L	539048	27R	539049
28L	539050	28R	539051
29L	539052	29R	539053
30L	539054	30R	539055

*For dark tone add suffix D

Pylon cutting jig	941257
Battery charger kit	239093
Aus adapter	950164
UK adaptor	950136
Euro adaptor	950137
US adaptor	950138
Shin extension cable	239057
Socket screwdriver 4mm	940271
Socket Hex 5mm AF	940266
Clinician's Manual	938353

Proximal Attachments

Rotating Pyramid with Shift	239017		7mm
Non-rotating Pyramid with Shift	239089		7mm
Rotating Female Pyramid with Shift	189128		28mm
M36 Threaded Adapter	239092		14mm

Build part numbers are for assembly guidance only and may not be for sale separately.

Fully integrated, microprocessor controlled lower limb system for above knee amputees.

Linx

Features

- Linx utilises one master controller across both joints. Within the limb, four microprocessors and seven situational sensors adjust and stabilise the limb for variable terrain, slope angle and walking speed
- **Dynamic Balance**
Linx aligns for action and rest to promote safe posture on all terrain
- **Flexion Lock Mode**
On flexed knee or on ramps: secure, comfortable weight distribution
- **Ramp Dynamics**
Increased dorsi-flexion resistance for safer and controlled descent
- **Motion integrated intelligence = Mi²**
Synchronised response to sensor inputs for excellent dynamic consistency

Specifications

Max. User Weight:	125kg
Activity Level:	3
Size Range:	22 to 30
Component Weight:	2.6kg†
Build Height:	470mm to 565mm
Heel Height:	10mm



Suitable for outdoor use

Order Example

Product Code	Size	Side	Spring Set
LINX	25	L	3

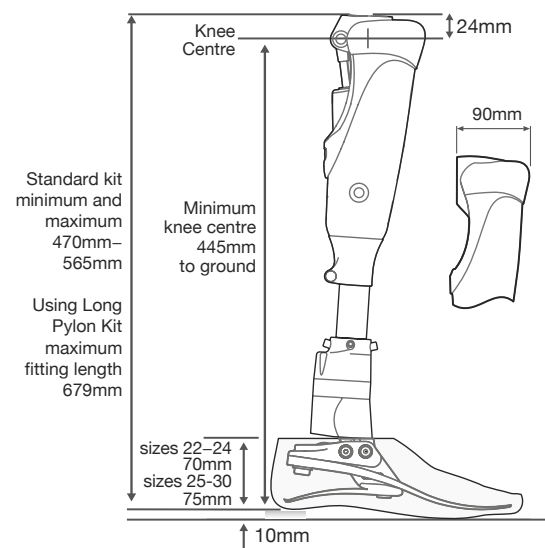
For dark tone add suffix D.
Example: foot size 25 left, spring rating 3

Accessories

Long Pylon Kit	339965
Pylon Cutting Jig	941257
Alignment Wedge	940093
Endolite Programming Tablet	019179



Build Height



Activity Level 3 has the ability or potential for ambulation with variable cadence. Typical of the community ambulator who has the ability to traverse most environmental barriers and may have vocational, therapeutic, or exercise activity that demands prosthetic utilization beyond simple locomotion.

Activity
3

User Weight

44-52	53-59	60-68	69-77	78-88	89-100	101-116	117-125	kg
100-115	116-130	131-150	151-170	171-195	196-220	221-255	256-275	lbs

1	2	3	4	5	6	7	8	Spring set
---	---	---	---	---	---	---	---	------------



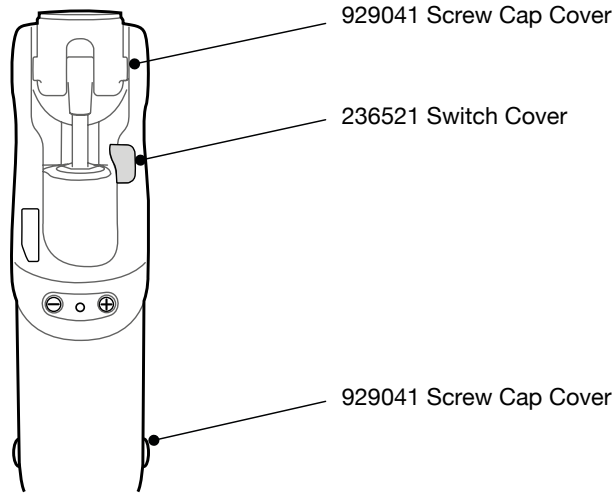
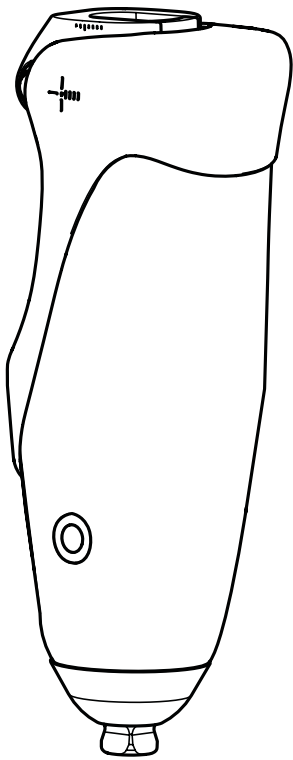
†Component weight shown is for a size 26cm without foot shell.





Knees

Orion3 Schematics



Features

- Situational Awareness – an Inertial Measurement Unit senses movement and speed to respond accordingly, in real time
- Enhanced Stability Performance – 5 levels of stance resistance optimises safety at all times
 - Controlled Stance Support
 - Standing Support
 - Dynamic Slope and Stair Descent
 - Stumble Recovery
 - Supported Sitting
- Natural Efficient Motion - MPC pneumatics ensure energy efficient and smooth swing at multiple speeds
 - Optimal Stance Release
 - Adaptive Speed Control
 - Terminal Swing Damping
- Cycling Mode and Fixed Angle Flexion Lock Mode
- Knee Flexion to 130°
- Intuitive Programming Software
- Lithium Ion batteries with up to 3 days life, dependent on usage
- Battery Life Indicator and Low Power Mode



Specifications

Max. User Weight:	125kg
Activity Level:	2, 3, 4*
Component Weight:	1.5kg
Build Height:	250mm
Control Unit:	MPK Hydraulic/Pneumatic

*Dependent on local reimbursement guidelines.



Part Number

ORION3

Accessories

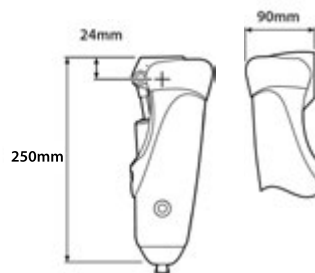
Battery Charger Kit	239093
Clinician's Manual	938374
Endolite Programming Tablet	019179

Socket Adapters

P409049



Build Height

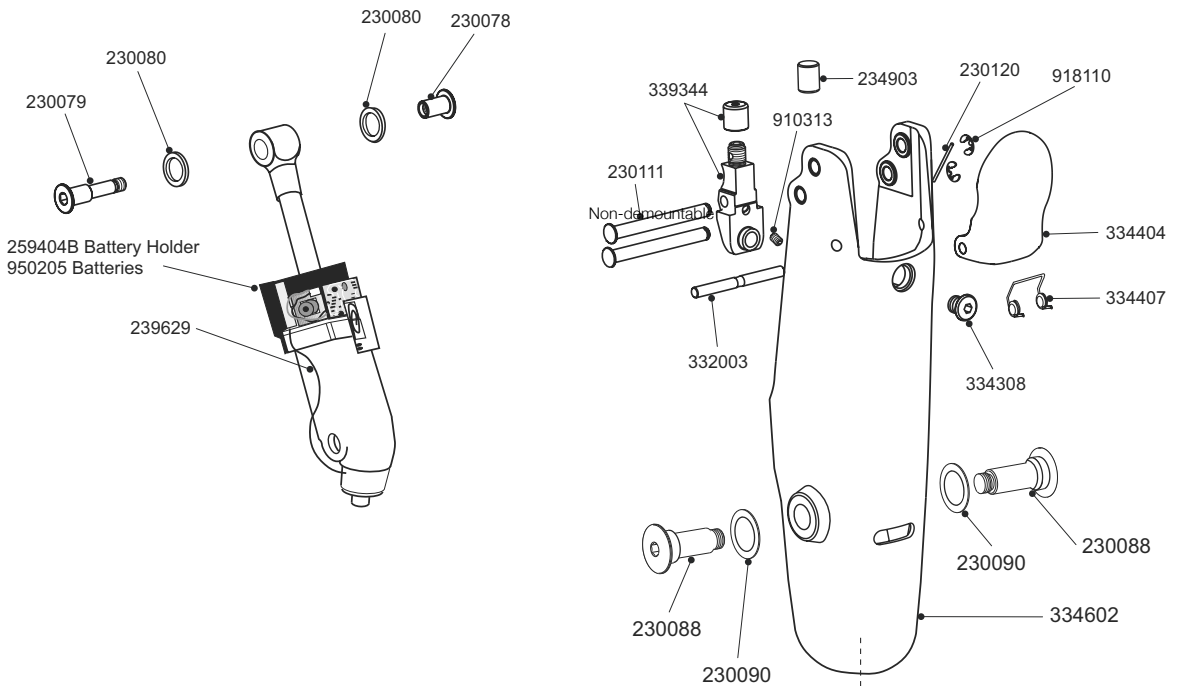
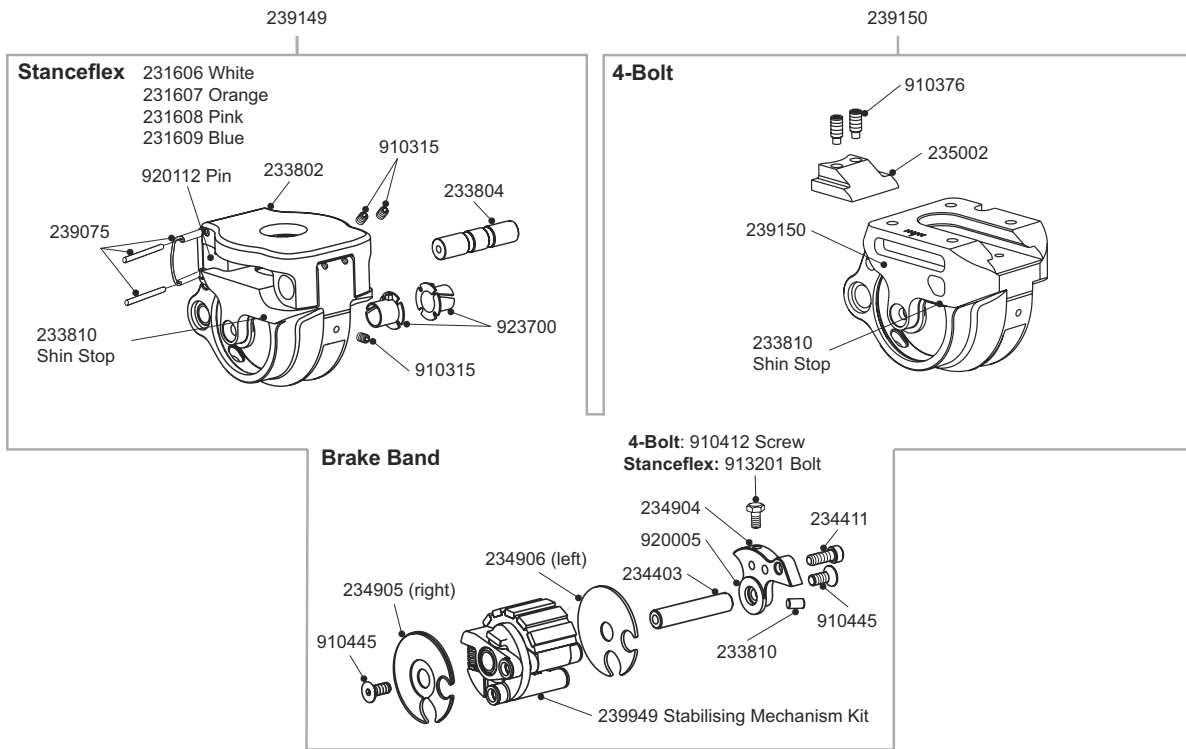


Proximal Attachments

Rotating Pyramid with Shift	239017			7mm
Non-rotating Pyramid with Shift	239089			7mm
Rotating Female Pyramid with Shift	189128			28mm
M36 Threaded Adapter	239092			14mm



SmartIP Schematics



UK controller board SMiP	259401
Fuse	950043
Instructions for use	938250
Control cylinder instructions	938238
Alignment/stability	938194
Stanceflex ESK+	938192
4-Bolt ESK+	938205



Build part numbers are for assembly guidance only and may not be for sale separately.

Microprocessor controlled knee with programming technology for optimum swing settings.

Features

- Comfortable gait from very slow to fast walking speeds
- Smoother speed progression because of enhanced program
- Weight activated stance control
- Stanceflex option improves comfort
- Battery life expectancy 9-12 months under normal usage
- 140° knee flexion
- 4-Bolt option reduces build height

Specifications

Max. User Weight:	125kg
Activity Level:	2-3
Component Weight:	1.27kg Stanceflex 1.15kg 4-Bolt
Build Height:	see diagram
Control Unit:	Swing: MPK/Pneumatic Stance: mechanical



Suitable for outdoor use

Part Numbers

Stanceflex options	SMARTIPSF30 SMARTIPSF30PYR
4-Bolt options	SMARTIP4B30 SMARTIP4BPYR

Stanceflex Rubber Hardness

25° 231608 Soft	35° 231606	45° 231607 Fitted as standard	70° 231609 Hard
------------------------------	----------------------	--	------------------------------

Careful selection of Stanceflex rubber is essential as it influences the action of the unit (see fitting information).

Socket Adapters

Stanceflex options

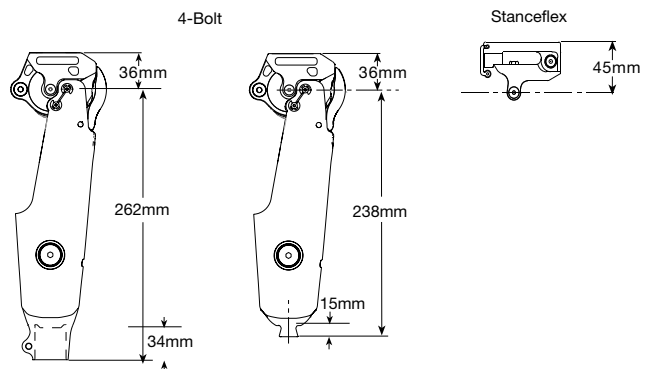


4-Bolt options

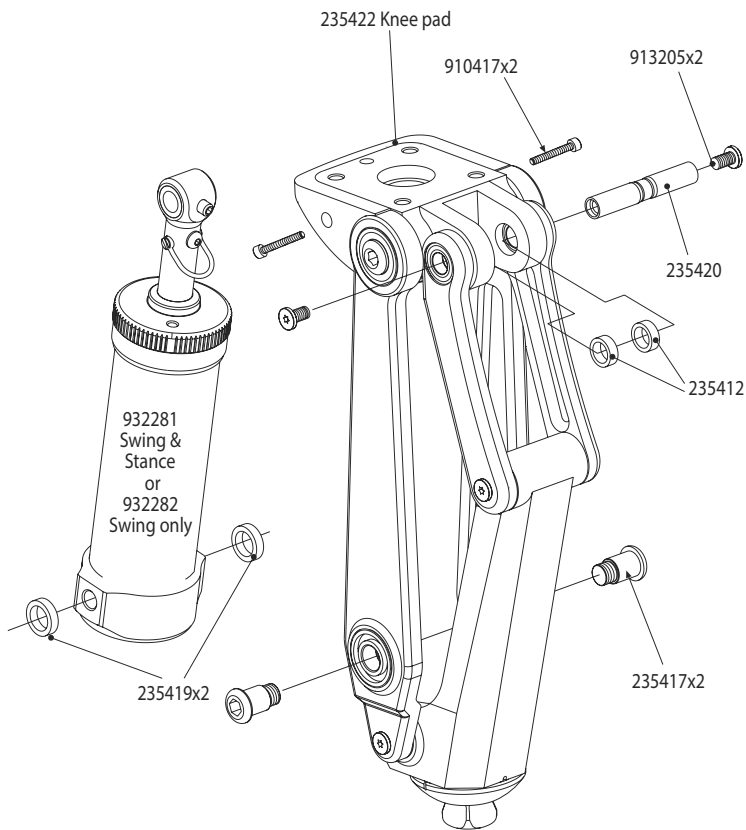


Pyramid option shown

Build Height



KX06 Schematics



Instructions for use
Control cylinder instructions

938271
938216



Build part numbers are for assembly guidance only and may not be for sale separately.

Features

- Polycentric knee with hydraulic swing and stance or swing only
- 160° knee flexion
- Water resistant design
- Variable cadence
- Cylinder flexion lock
- Mode switch for cycling
- Multiple proximal adapter choices
- Distal pyramid

Specifications

Max. User Weight/Activity Level:	150kg/3 145kg/4
Component Weight:	1.23kg
Build Height:	See diagram
Control Unit:	Endolite Hydraulic



Suitable for shower use
Not designed for prolonged submersion.



Part Numbers

KX06
KX06-SWING

Accessories

Cylinder Adjuster Tool

940091

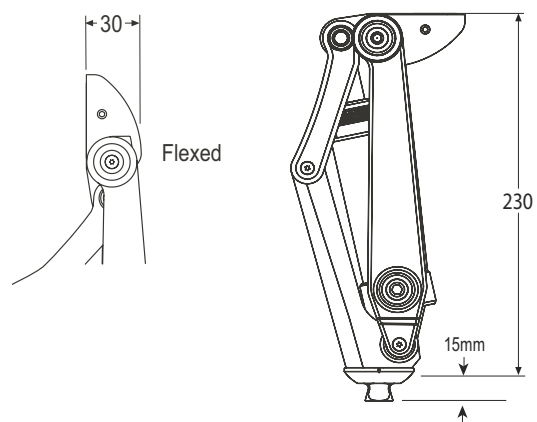


Socket Adapters

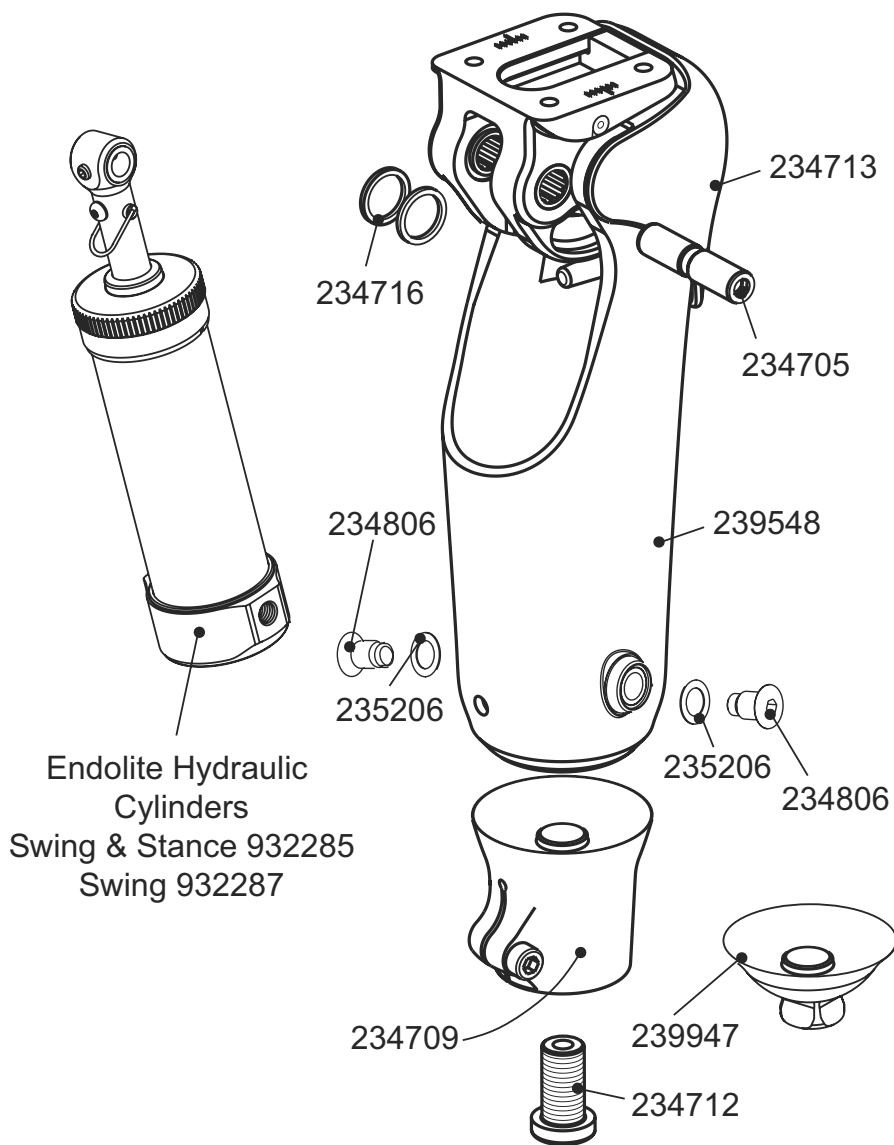
EP-MSR EP-FSR P189310 169307 169207

169407

Build Height



Mercury Schematics



Instructions for use knee
Control cylinder instructions

938251
938216

Features

- Tough carbon fibre frame
- 125° knee flexion
- Long life needle roller bearings
- Reinforced hydraulic unit
- Variable cadence
- Cylinder flexion lock
- Mode switch for cycling
- Durable urethane kneeler pad
- Compact design

Specifications

Max. User Weight/Activity Level:	150kg/3 145kg/4
Component Weight:	1.23kg
Build Height:	See diagram
Control Unit:	Endolite Hydraulic



Suitable for outdoor use

Part Numbers

- MH30
- MH30 SWING
- MHPYR
- MHPYR SWING

Discontinuous:

- MHDPYRS - small kneeball 100mm
- MHDPYRM - medium kneeball 110mm
- MHD30S - small kneeball 100mm
- MHD30M - medium kneeball 110mm

Accessories

Mercury discontinuous cosmesis kit see page 125

Cylinder Adjuster Tool

940091

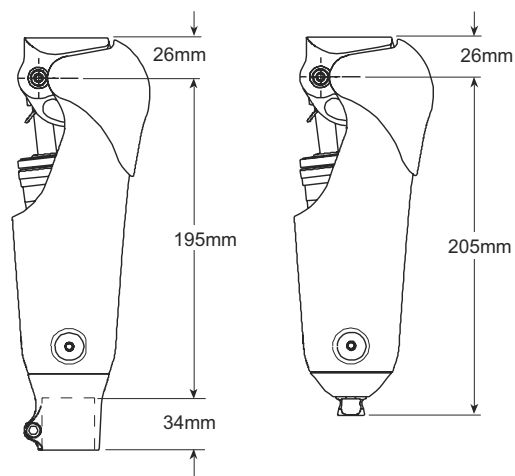


Socket Adapters

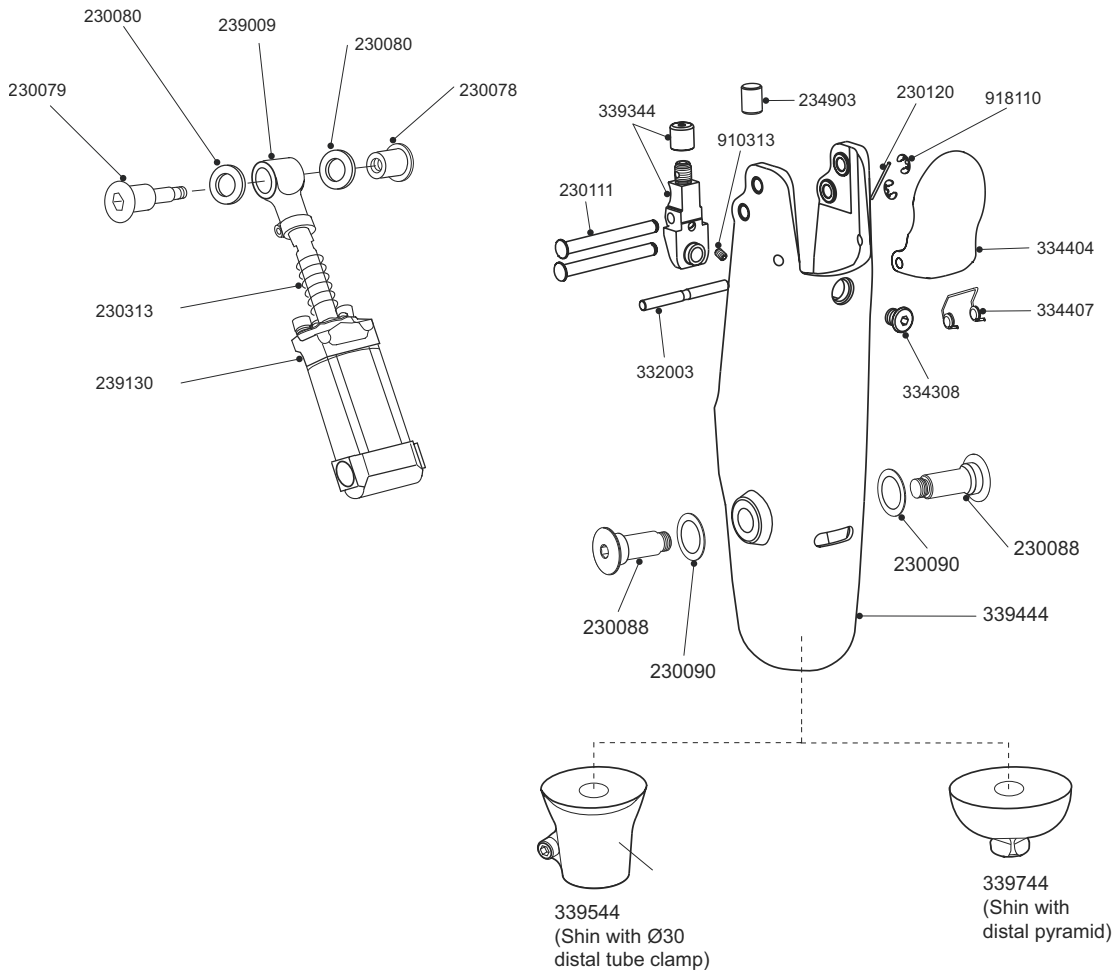
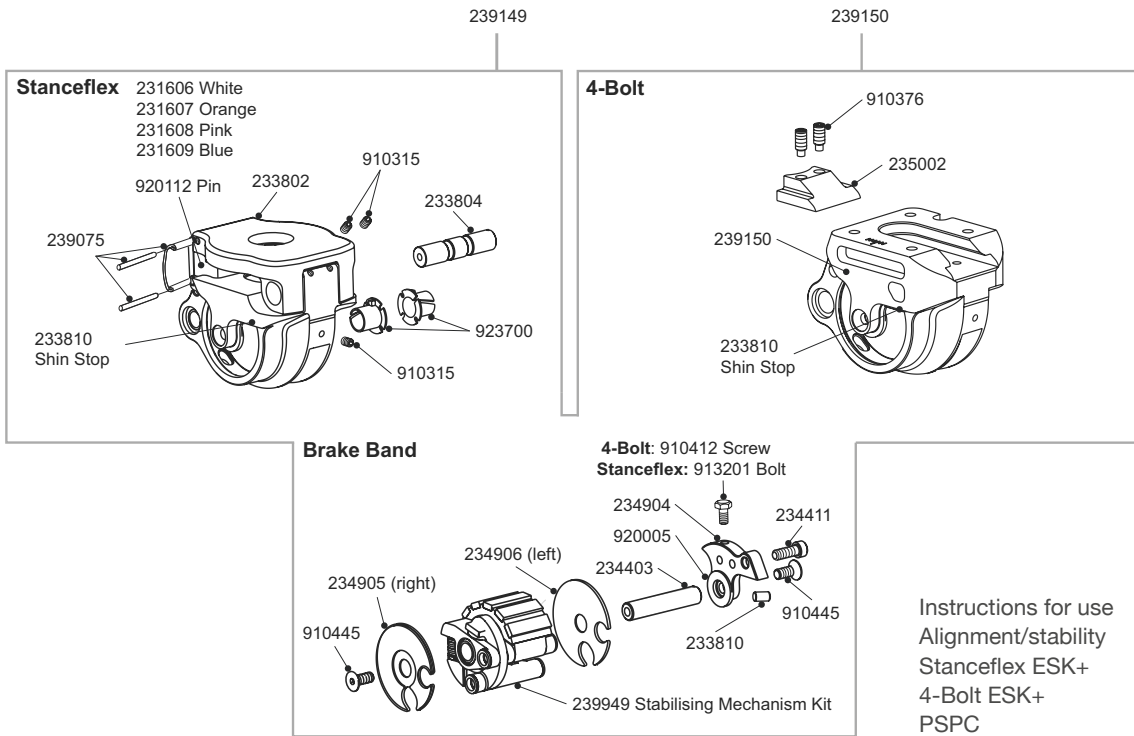


Pyramid option shown

Build Height



ESK+ Schematics



Build part numbers are for assembly guidance only and may not be for sale separately.

PSPC knee with weight activated stance control for moderately active users.

ESK+

Features

- Weight activated adjustable stance control
- Pneumatic swing phase control
- Stanceflex option improves comfort
- 140° of knee flexion
- 4-Bolt option reduces build height

Specifications

Max. User Weight:	125kg
Activity Level:	2-3
Component Weight:	1.13kg Stanceflex 1.15kg 4-Bolt
Build Height:	See diagram
Control Unit:	Pneumatic



Part Numbers

Stanceflex options	ESKSFP30 ESKSFPYR
4-Bolt options	ESK4BP30 ESK4BPPYR



Pyramid option shown

Stanceflex Rubber Hardness

25° 231608 Soft	35° 231606	45° 231607 Fitted as standard	70° 231609 Hard
------------------------------	----------------------	--	------------------------------

Careful selection of Stanceflex rubber is essential as it influences the action of the unit (see fitting information).

Socket Adapters

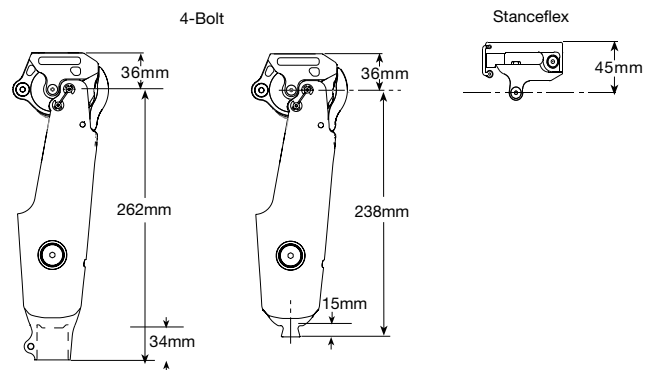
Stanceflex options



4-Bolt options



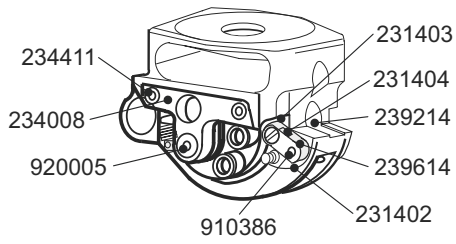
Build Height



ESK+ MKL Schematics

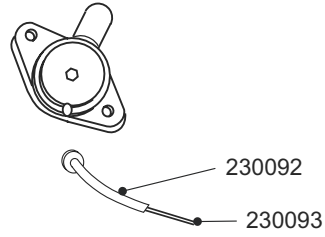
239440

Single Bolt Chassis



239640

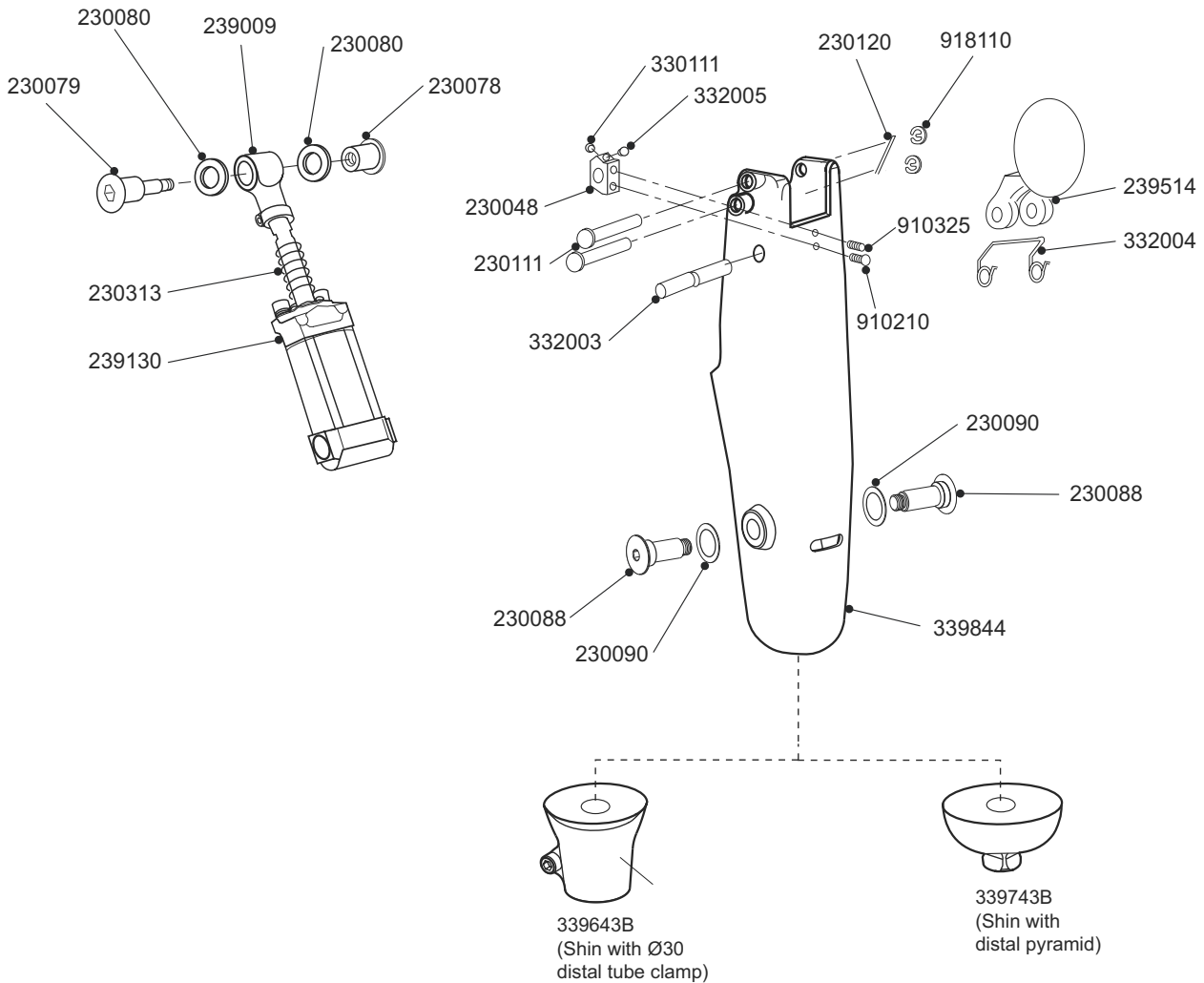
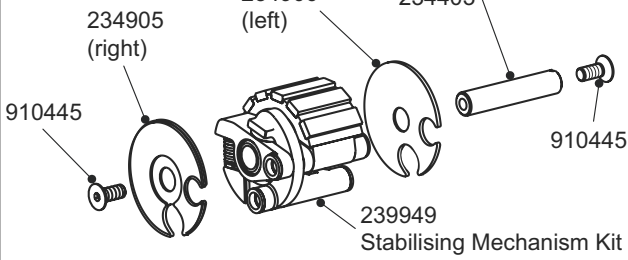
Thigh Release Kit



Instructions for use

MKL thigh Release kit	938231
Knee	938230 & 938194
PSPC	938057

Brake Band



Build part numbers are for assembly guidance only and may not be for sale separately.

PSPC knee with weight activated stance control and manual knee lock for moderately active users.

ESK+ MKL

Features

- Weight activated stance control with lock option
- Pneumatic swing control
- Manual user-operated lock
- 115° knee flexion
- Universal thigh release lock operation
- Proximal full alignment

Specifications

Max. User Weight:	125kg
Activity Level:	1-3
Component Weight:	1.2kg
Build Height:	See diagram
Control Unit:	Pneumatic/lock



Pyramid option shown

Part Numbers

ESKSBMKLP30
ESKSBMKLPPYR

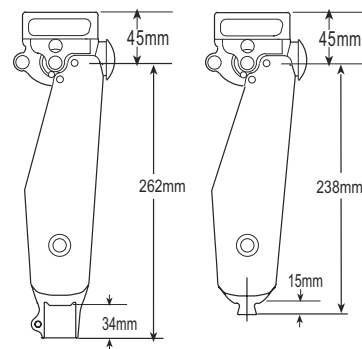
Accessories

Thigh Release Kit 239640 (included)

Socket Adapters



Build Height



Secure knee joint for use where locked knee extension is preferred.

S200

Features

- Rotatable pyramid for ease of alignment
- Low-profile semi-automatic lock
- Will unlock without toe load
- Audible lock engagement for safety

Specifications

Max. User Weight:	100kg
Activity Level:	1-2
Component Weight:	358g
Build Height:	85mm

Part Numbers

Knee

ENS200



Thigh Release Upgrade Kit
Service/Repair Kit

P239443

2-01-4S40J-SPK



Polycentric locking knee that can be set as a SAKL or MKL.

S400

Features

- Compact low-profile polycentric locking knee
- Good sitting cosmesis
- Can be set as a SAKL, MKL or free knee
- Socket Adapters provide range of set up options
- Geometric lock at heel strike (when set in free knee)
- Adjustable extension assist spring
- Adjustable geometry to reposition ICR

Specifications

Max. User Weight:	125kg/2 100kg/3
Activity Level:	2-3
Component Weight:	678g
Build Height:	130mm

Part Numbers

Knee

ENS400



SAKL Thigh Release Kit

P239443

MKL Thigh Release Kit

239640

Service/Repair Kit

2-01-S400L-SPK

Socket Adapters

Lotus Adapter (KD)

2-01-S400L=LA-01



Socket Attachment Plate

2-01-S400L=SP-01



Slim and versatile knee with pneumatic swing phase control.

S500

Features

- Slimline polycentric with pneumatic swing control
- Geometric lock at heel strike and stance
- Independent flexion/extension control adjustable
- Socket adapters provide range of set up options
- Geometric lock at heel strike (when set in free knee)
- Adjustable spring extension assist

Specifications

Max. User Weight:	125kg
Activity Level:	2-3
Component Weight:	882g
Build Height:	220mm

Part Numbers

Knee	ENS500
Service/Repair Kit	2-01-S500L-SPK

Socket Adapters

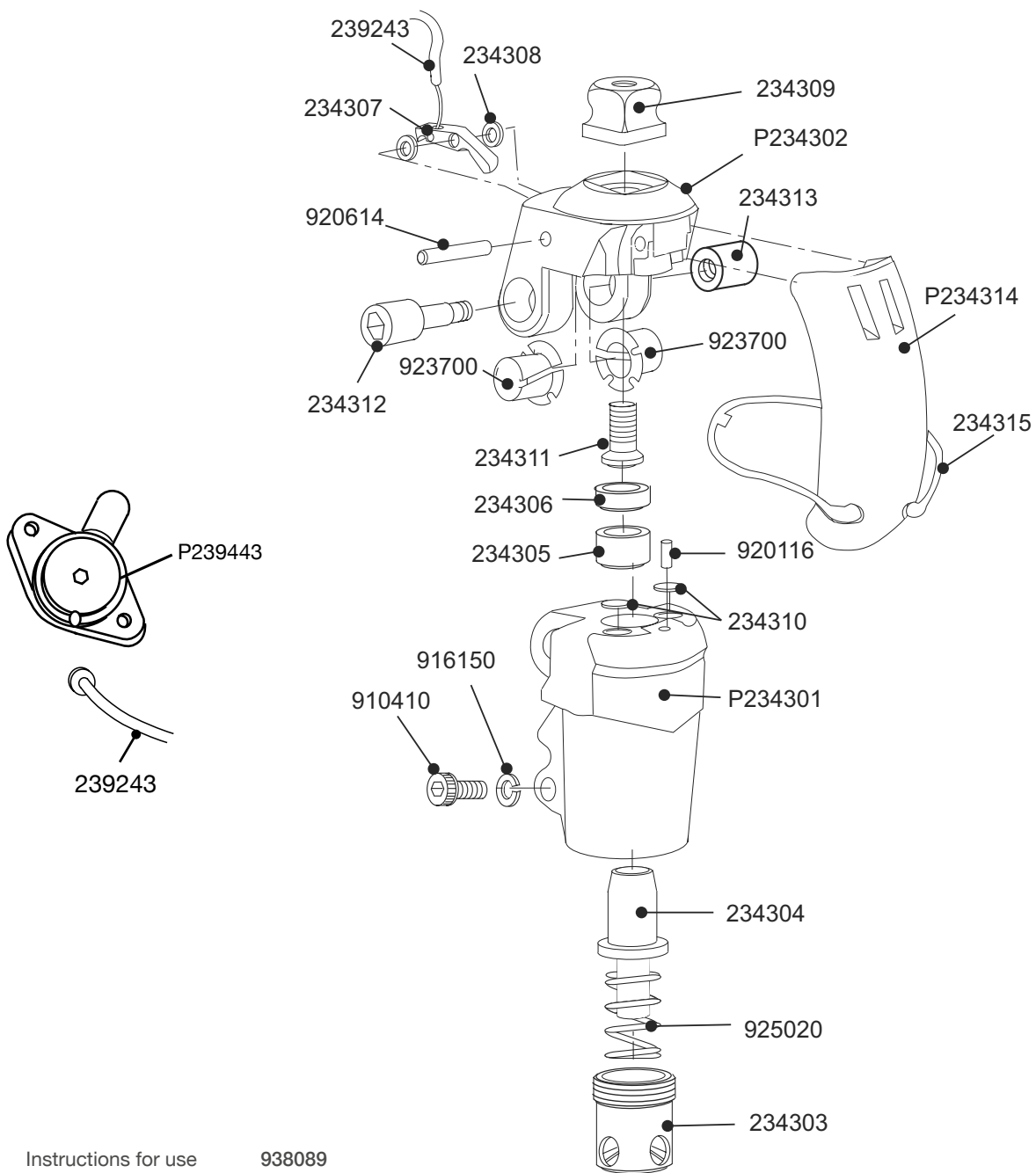
Lotus Adapter (KD) **2-01-S400L=LA-01**



Socket Attachment Plate **2-01-S400L=SP-01**



Compact SAKL Schematics



Instructions for use

938089

Build part numbers are for assembly guidance only and may not be for sale separately.

Compact and lightweight knee,
ideal for low activity users.

Compact SAKL

Features

- Slim, low profile knee
- 140° knee flexion
- Locks automatically on extension
- Thigh release

Specifications

Max. User Weight:	125kg
Activity Level:	1-2
Component Weight:	325g
Build Height:	See diagram
Control Unit:	SAKL



Side view shown



Suitable for outdoor use

Part Number

P239143

Accessories

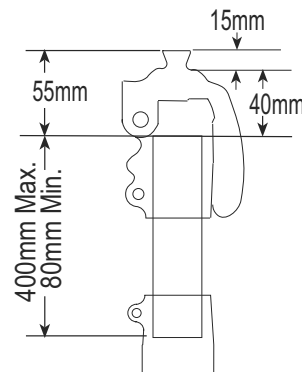
Thigh Release Kit (release lever only)	P239443
Thigh Release Cable	239243

Socket Adapters

P409049



Build Height



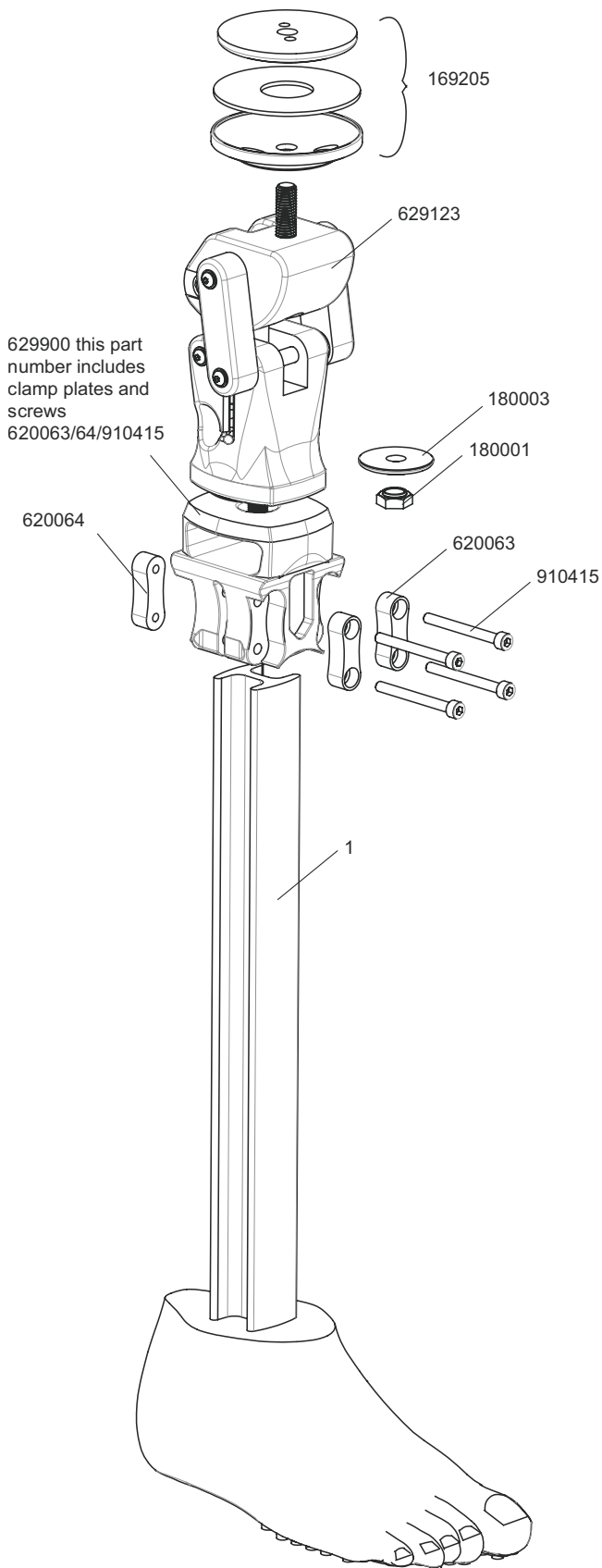
Aqualimb TF

1. Foot Moulding:

Left	Part Number	Right	Part Number
22L	629049	22R	629050
23L	629051	23R	629052
24L	629053	24R	629054
25L	629055	25R	629056
26L	629057	26R	629058
27L	629059	27R	629060

Instructions for use

938321



Build part numbers are for assembly guidance only and may not be for sale separately.

A waterproof prosthesis designed for use in the shower and wet environments.

Aqualimb TF

Features

- Machined polycentric linkage designed knee to improve security
- Manual lock option to increase stability
- Rapid assembly
- Anti-slip tread pattern on sole

Specifications

Max. User Weight:	100kg
Activity Level:	1-2
Size Range:	22cm-27cm
Component Weight†:	2.0kg
Build Height:	400-585mm
Heel Height:	5mm

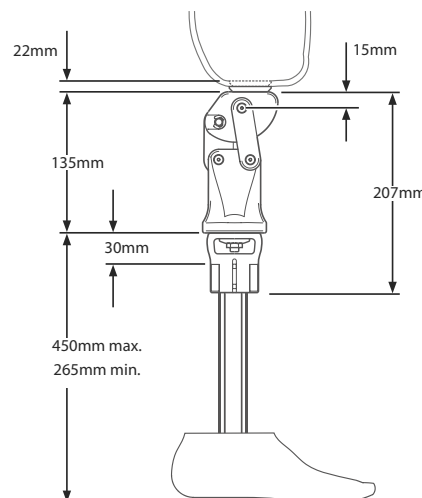


Order Example

Product Code	Size	Side
AQTF	25	L

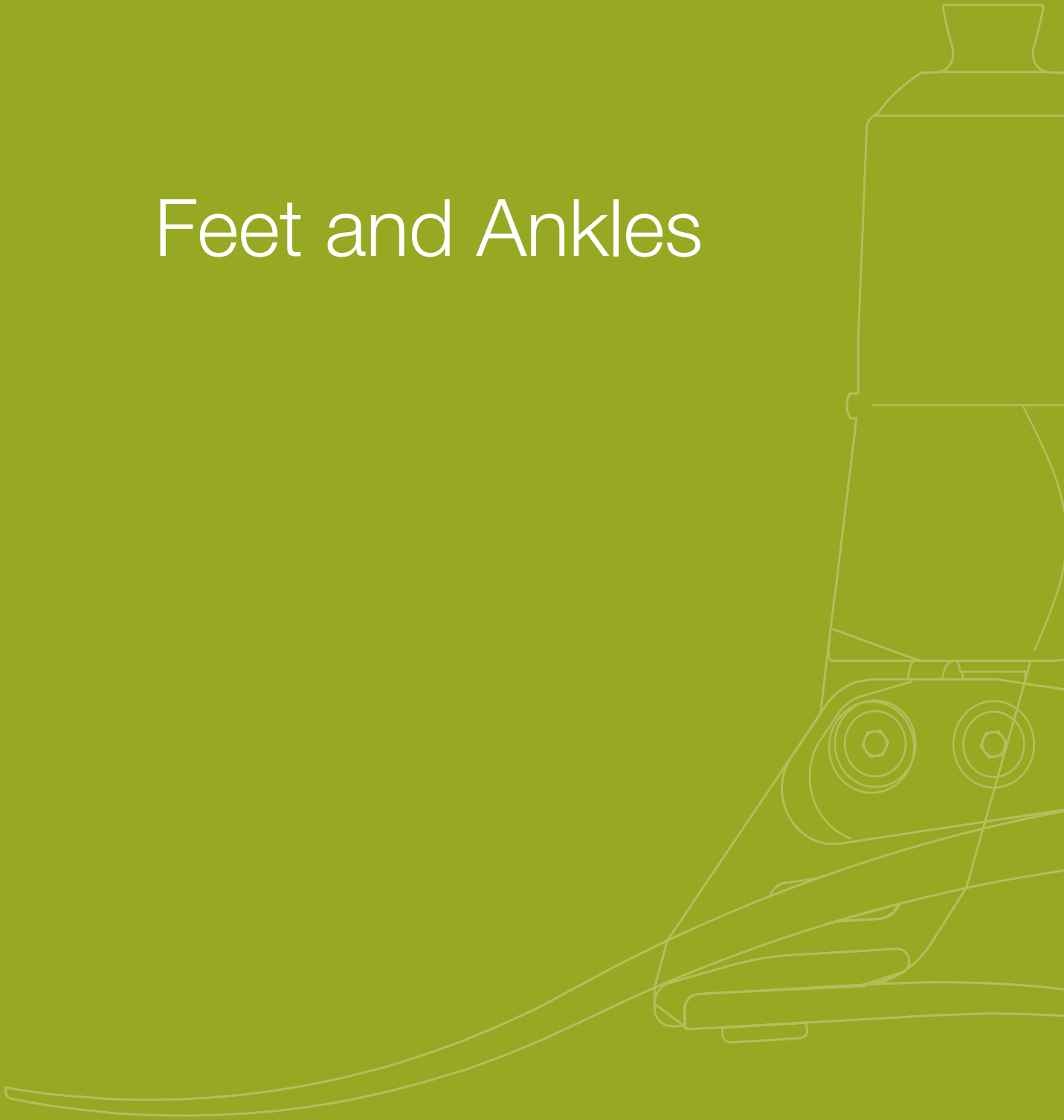
Foot example: AqualimbTF, size 25 left.

Build Height





Feet and Ankles



Elan Schematics

1 Spring Kits:

Foot Size	Foot Size	Foot Size	Foot Size
22-24	25-26	27-28	29-30
Set 1 - 539801	Set 1 - 539810	Set 1 - 539819	Set 1 - 539828
Set 2 - 539802	Set 2 - 539811	Set 2 - 539820	Set 2 - 539829
Set 3 - 539803	Set 3 - 539812	Set 3 - 539821	Set 3 - 539830
Set 4 - 539804	Set 4 - 539813	Set 4 - 539822	Set 4 - 539831
Set 5 - 539805	Set 5 - 539814	Set 5 - 539823	Set 5 - 539832
Set 6 - 539806	Set 6 - 539815	Set 6 - 539824	Set 6 - 539833
Set 7 - 539807	Set 7 - 539816	Set 7 - 539825	Set 7 - 539834
Set 8 - 539808	Set 8 - 539817	Set 8 - 539826	Set 8 - 539835

2 Glide Sock: 22-26 - 531011, 27-30 - 532811

3 Foot shells:*

Left	Part Number	Right	Part Number
22L	539038E	22R	539039E
23L	539040E	23R	539041E
24L	539042E	24R	539043E
25L	539044	25R	539045
26L	539046	26R	539047
27L	539048	27R	539049
28L	539050	28R	539051
29L	539052	29R	539053
30L	539054	30R	539055

*For dark tone add suffix D

4 Carrier assembly - Elan Loaner Module

Resistance	Size		
	Small	Medium	Large
68	409061E-LNR	409064E-LNR	409067E-LNR
100	409062E-LNR	409065E-LNR	409068E-LNR
150	409063E-LNR	409066E-LNR	409069E-LNR

Bluetooth dongle 409093
 Clinician's manual 938317E

Elan battery charger kit 409087E

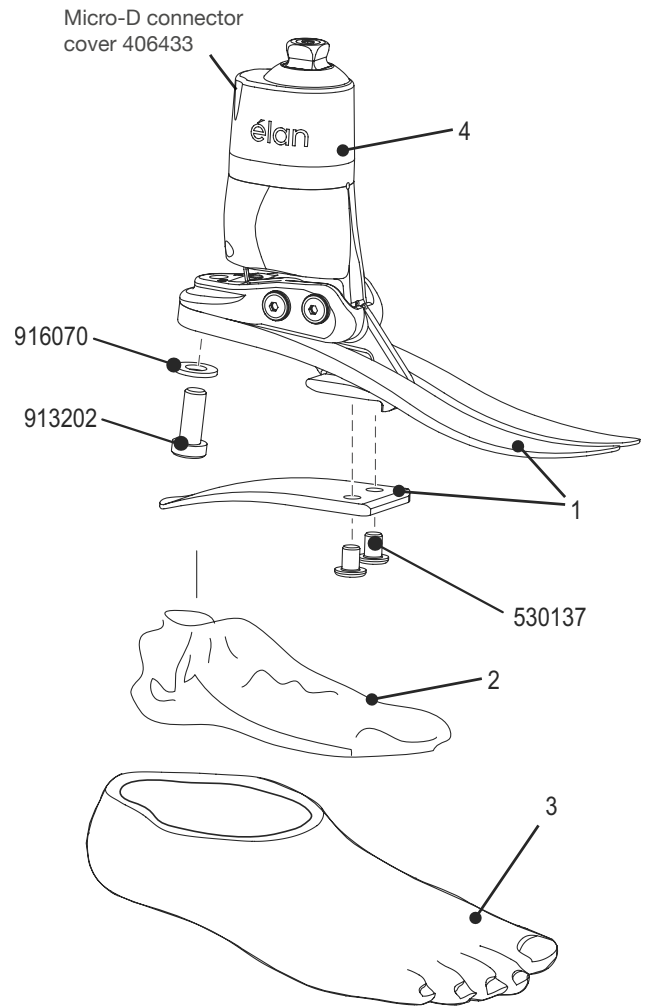
Includes:

Battery charger 950215
 Battery charger adapter (UK) 950103
 Battery charger adapter (USA) 950104
 Battery charger adapter (EURO) 950105
 Charger adapter cable 409091

Elan comms kit 406431E

Includes:

External USB bluetooth adapter 950129
 Comms cable (USB to TTL) 950928
 Comms cable adapter 409078
 Interface cable
 (micro D to comms cable adapter) 409084
 Elan software USB fob 406413E



Build part numbers are for assembly guidance only and may not be for sale separately.

Microprocessor-controlled hydraulic ankle/foot for terrain response and speed control.

Elan

Features

- Microprocessor controlled self-aligning plantar flexion and dorsiflexion
- Standing support mode increases resistance when stationary to help improve balance, stability, reduce effort and encourage a more natural posture
- Variable response to speed changes
- Increased plantar flexion resistance allows for more energy storage and return when walking quickly or up slopes
- Ankle remains dorsiflexed during swing phase to increase toe clearance and reduce risk of trips and falls
- Batteries contained within ankle
- Increased dorsiflexion resistance provides a brake when walking down slopes for improved safety and stability

Foot shell and glide sock included.



Specifications

Max. User Weight:	125kg*
Activity Level:	3
Size Range:	22cm-30cm
Component Weight:	920g†
Build Height:	170mm sizes 22-26 175mm sizes 27-30
Heel Height:	10mm



Suitable for outdoor use

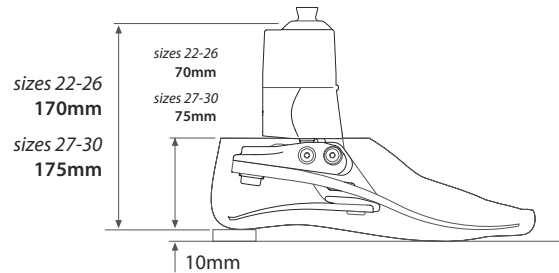
Order Example

Product Code	Size	Side	Spring Set
ELAN	25	L	3

For dark tone add suffix D.

Foot example: Elan, size 25 left, spring rating 3

Build Height



Accessories

Alignment Wedge	940093
Spare Battery Charger Kit	409087E
Clinician's Manual	938317E
Endolite Programming Tablet	019179

Activity Level 2 and 4 users who would benefit from this foot will require softer or stiffer springs as appropriate for the individual. Refer to Instructions for Use for further information.

Spring set recommendations are for trans-tibial users. For trans-femoral we suggest selecting a spring set one level lower.

Activity
3

User Weight

44-52	53-59	60-68	69-77	78-88	89-100	101-116	117-125	kg
100-115	116-130	131-150	151-170	171-195	196-220	221-255	256-275	lbs

3

1	2	3	4	5	6	7	8
---	---	---	---	---	---	---	---

Spring set

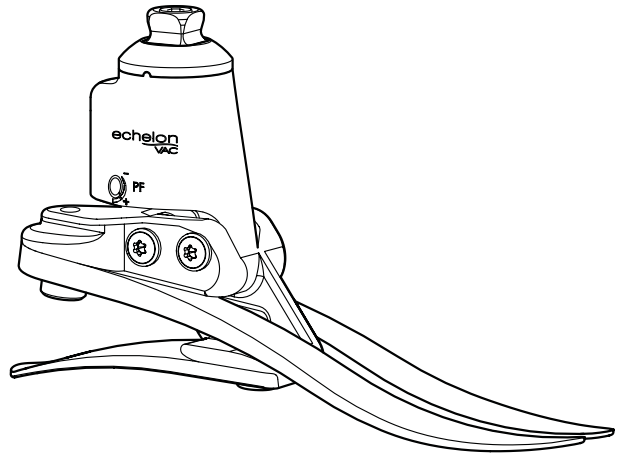


*For weights above 125kg up to 150kg contact an Endolite representative. †Component weight shown is for a size 26cm without foot shell.

EchelonVAC Schematics

1 Spring Kits

Foot Size	Foot size	Foot size	Foot size
22-24	25-26	27-28	29-30
Set 1 - 539801	Set 1 - 539810	Set 1 - 539819	Set 1 - 539828
Set 2 - 539802	Set 2 - 539811	Set 2 - 539820	Set 2 - 539829
Set 3 - 539803	Set 3 - 539812	Set 3 - 539821	Set 3 - 539830
Set 4 - 539804	Set 4 - 539813	Set 4 - 539822	Set 4 - 539831
Set 5 - 539805	Set 5 - 539814	Set 5 - 539823	Set 5 - 539832
Set 6 - 539806	Set 6 - 539815	Set 6 - 539824	Set 6 - 539833
Set 7 - 539807	Set 7 - 539816	Set 7 - 539825	Set 7 - 539834
Set 8 - 539808	Set 8 - 539817	Set 8 - 539826	Set 8 - 539835



2 Glide Sock

Sizes 22-26	531011
Sizes 27-30	532811

3 Foot Shell*

Left	Part Number	Right	Part Number
22L	539038	22R	539039
23L	539040	23R	539041
24L	539042	24R	539043
25L	539044	25R	539045
26L	539046	26R	539047
27L	539048	27R	539049
28L	539050	28R	539051
29L	539052	29R	539053
30L	539054	30R	539055

*For dark tone add suffix D

4 Cosmetic Interface*

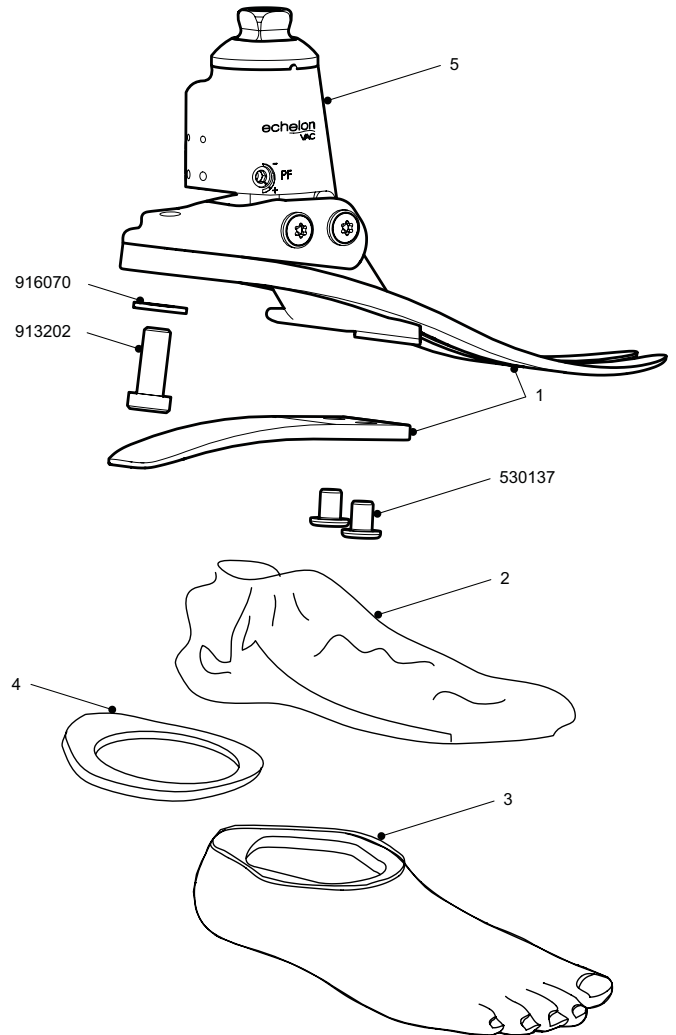
Left	Part Number	Right	Part Number
22L	530138	22R	530138
23L	530138	23R	530138
24L	530138	24R	530138
25L	531035	25R	531035
26L	531035	26R	531035
27L	531935	27R	531935
28L	531936	28R	531936
29L	532831	29R	532832
30L	532833	30R	532834

*For dark tone add suffix D

5 Carrier Assembly

Size	
Small: 22-24	409263VAC
Medium: 25-26	409363VAC
Large: 27-30	409463VAC

Instructions for use 938367



Hydraulic ankle technology paired with an elevated vacuum system for a secure and comfortable socket connection.

EchelonVAC

Features

- Biomimetic Hydraulic Technology with integrated elevated vacuum
- Walking motion generates a natural vacuum
- No power required, quiet gentle operation
- Lightweight, compact design
- Low build height
- E-carbon springs for efficient energy return
- Split toe design for ground compliance on uneven terrain



Specifications

Max. User Weight:	125kg*
Activity Level:	3
Size Range:	22-30cm
Component Weight:	700g†
Maximum Vacuum:	17" Hg
Build Height:	121mm sizes 22-24 126mm sizes 25-26 131mm sizes 27-30
Heel Height:	10mm



Suitable for outdoor use


Order Example

Product Code	Size	Side	Spring Set
EVAC	25	L	3

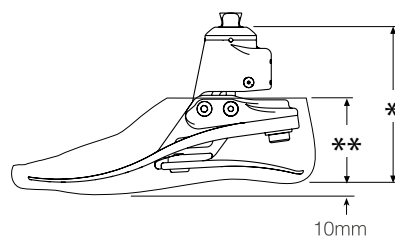
For dark tone add suffix D. Foot example: EchelonVAC, size 25 left, spring rating 3.

Accessories

Valves recommended for use with EchelonVAC can be found on page 128.

Alignment Wedge	940093	
4mm Adjuster Key	940236	
Socket Connection Kit	409663	
Check Valve Service Kit	409863	

Build Height



* sizes	** sizes
22 - 24 = 121mm	22 - 24 = 70mm
25 - 26 = 126mm	25 - 30 = 75mm
27 - 30 = 131mm	

Activity Level 2 and 4 users who would benefit from this foot will require softer or stiffer springs as appropriate for the individual. Refer to Instructions for Use for further information.

Spring set recommendations are for trans-tibial users. For trans-femoral we suggest selecting a spring set one level lower.

Activity
3

User Weight

44-52	53-59	60-68	69-77	78-88	89-100	101-116	117-125	kg
100-115	116-130	131-150	151-170	171-195	196-220	221-255	256-275	lbs

1	2	3	4	5	6	7	8
---	---	---	---	---	---	---	---

Spring set



*Dependent on local reimbursement guidelines. May not be suitable for running or high impact activities.
†Component weight shown is for a size 26cm without foot shell.

EchelonVT Schematics

1 Spring Kits:

Foot Size	Foot size	Foot size	Foot size
22-24	25-26	27-28	29-30
Set 1 - 539801	Set 1 - 539810	Set 1 - 539819	Set 1 - 539828
Set 2 - 539802	Set 2 - 539811	Set 2 - 539820	Set 2 - 539829
Set 3 - 539803	Set 3 - 539812	Set 3 - 539821	Set 3 - 539830
Set 4 - 539804	Set 4 - 539813	Set 4 - 539822	Set 4 - 539831
Set 5 - 539805	Set 5 - 539814	Set 5 - 539823	Set 5 - 539832
Set 6 - 539806	Set 6 - 539815	Set 6 - 539824	Set 6 - 539833
Set 7 - 539807	Set 7 - 539816	Set 7 - 539825	Set 7 - 539834
Set 8 - 539808	Set 8 - 539817	Set 8 - 539826	Set 8 - 539835

2 Glide Sock

Sizes 22 to 26	531011
Sizes 27 to 30	532811

3 Foot shell:*

Left	Part Number	Right	Part Number
22L	539038	22R	539039
23L	539040	23R	539041
24L	539042	24R	539043
25L	539044	25R	539045
26L	539046	26R	539047
27L	539048	27R	539049
28L	539050	28R	539051
29L	539052	29R	539053
30L	539054	30R	539055

*For dark tone add suffix D

4 Cosmetic Interface*

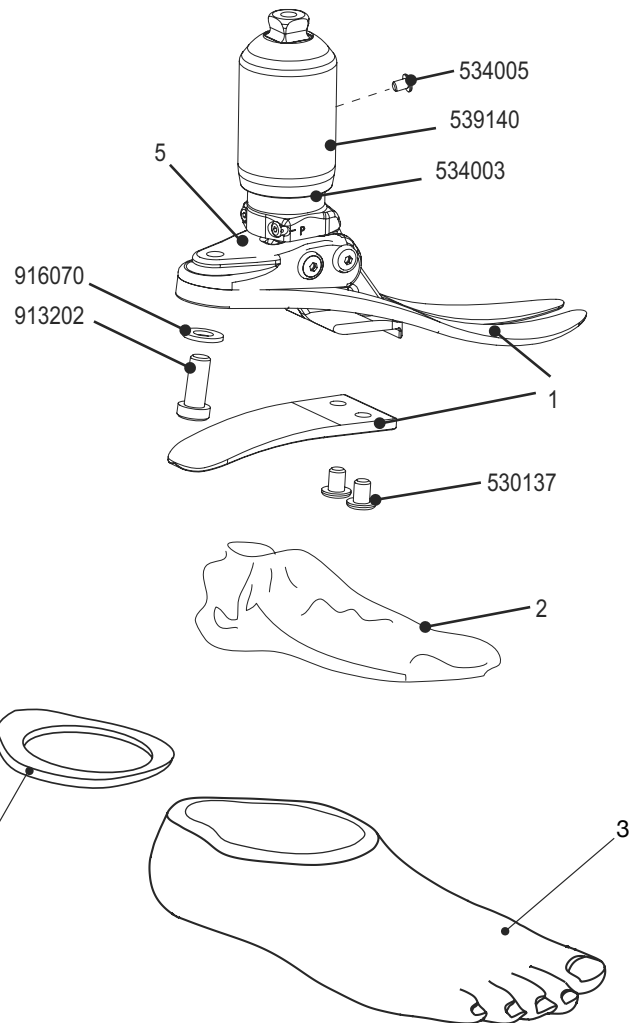
Left	Part Number	Right	Part Number
22L	530138	22R	530138
23L	530138	23R	530138
24L	530138	24R	530138
25L	531035	25R	531035
26L	531035	26R	531035
27L	531935	27R	531935
28L	531936	28R	531936
29L	532831	29R	532832
30L	532833	30R	532834

*For dark tone add suffix D

5 Carrier assembly

Size	Rate			
	1	2	3	4
Small: 22, 23 & 24	539062	539063	539064	539065
Medium: 25 & 26	539066	539067	539068	539069
Large: 27 to 30	539070	539071	539072	539073

Instructions for use **938315**



Biomimetic hydraulic ankle/foot with shock absorber, rotation and split toe for terrain conformance.

EchelonVT

Features

- Hydraulic control of dorsi-flexion and plantar-flexion
- Dorsi-flexed toe for swing phase
- Rotation and vertical shock absorption
- Tripod action for conformance and vertical compliance
- Smooth hydraulic and spring action
- Slimline foot design
- Responsive e-carbon foot springs

Foot shell, cosmetic interface and glide sock included.



Specifications

Max. Amputee weight:	125kg
Activity Level:	3
Size Range:	22cm-30cm
Component Weight:	855g†
Build Height:	168mm sizes 22-24 173mm sizes 25-26 178mm sizes 27-30
Heel Height:	10mm



Suitable for outdoor use

Order Example

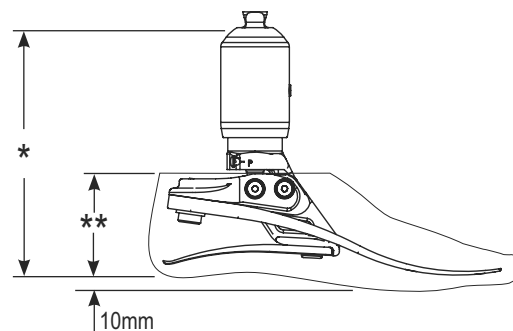
Product Code	Size	Side	Spring Set	Axial Spring
ECVT	25	L	5	2

For dark tone add suffix D.
Foot example: EchelonVT, size 25 left, spring rating 5, axial spring 2.

Accessories

Alignment Wedge	940093	
Foot Shell Cover	539096	

Build Height



* sizes	** sizes
22 - 24 = 168mm	22 - 24 = 70mm
25 - 26 = 173mm	25 - 30 = 75mm
27 - 30 = 178mm	

Activity	User Weight								kg lbs
	44-52 100-115	53-59 116-130	60-68 131-150	69-77 151-170	78-88 171-195	89-100 196-220	101-116 221-255	117-125 256-275	
3	1	2	3	4	5	6	7	8	Foot spring set
	•	••	•••	••••	•••••	••••••	•••••••	••••••••	◀ Axial shock spring rate indicated as shown
	1	2	3	4					◀ Axial spring

†Component weight shown is for a size 26cm without foot shell.



Echelon

1 Spring Kits

Foot Size	Foot size	Foot size	Foot size
22-24	25-26	27-28	29-30
Set 1 - 539801	Set 1 - 539810	Set 1 - 539819	Set 1 - 539828
Set 2 - 539802	Set 2 - 539811	Set 2 - 539820	Set 2 - 539829
Set 3 - 539803	Set 3 - 539812	Set 3 - 539821	Set 3 - 539830
Set 4 - 539804	Set 4 - 539813	Set 4 - 539822	Set 4 - 539831
Set 5 - 539805	Set 5 - 539814	Set 5 - 539823	Set 5 - 539832
Set 6 - 539806	Set 6 - 539815	Set 6 - 539824	Set 6 - 539833
Set 7 - 539807	Set 7 - 539816	Set 7 - 539825	Set 7 - 539834
Set 8 - 539808	Set 8 - 539817	Set 8 - 539826	Set 8 - 539835

2 Foot shell*

Left	Part Number	Right	Part Number
22L	539038	22R	539039
23L	539040	23R	539041
24L	539042	24R	539043
25L	539044	25R	539045
26L	539046	26R	539047
27L	539048	27R	539049
28L	539050	28R	539051
29L	539052	29R	539053
30L	539054	30R	539055

3 Cosmetic Interface*

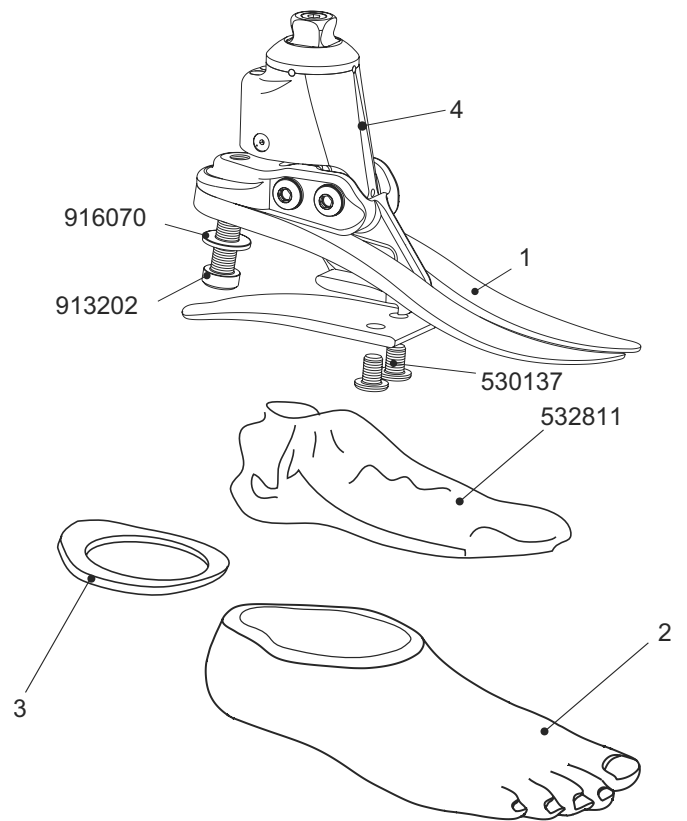
Left	Part Number	Right	Part Number
22L	530138	22R	530138
23L	530138	23R	530138
24L	530138	24R	530138
25L	531035	25R	531035
26L	531035	26R	531035
27L	531935	27R	531935
28L	531936	28R	531936
29L	532831	29R	532832
30L	532833	30R	532834

*For dark tone add suffix D

4 Carrier Assembly:

Small 22-24	409263
Medium 25-26	409363
Large 27-30	409463

Instructions for use 938280



Echelon

Biomimetic hydraulic ankle control and split toe for stability on uneven or sloping terrain.

Features

- Independent hydraulic control of plantar and dorsi-flexion
- Biomimetic design simulates natural ankle motion
- Toe up for swing through clearance
- Natural toe position for sitting
- e-carbon heel and toe springs
- Elegant and compact for cosmetic finish

Foot shell, cosmetic interface and glide sock included.



Specifications

Max. User Weight:	125kg
Activity Level:	3
Size Range:	22cm-30cm
Component Weight:	688g†
Build Height:	115mm sizes 22-24 120mm sizes 25-26 125mm sizes 27-30
Heel Height:	10mm



Suitable for submersion

Order Example

Product Code	Size	Side	Spring Set
EC	25	L	5

For dark tone add suffix D.

Foot example: Echelon, size 25 left, spring rating 5.

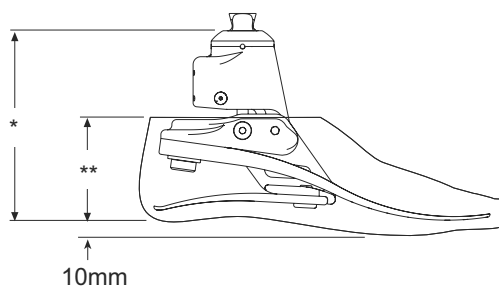
Accessories

Alignment Wedge

940093



Build Height



* sizes

22 - 24 = 115mm
25 - 26 = 120mm
27 - 30 = 125mm

** sizes

22 - 24 = 70mm
25 - 30 = 75mm

Activity Level 2 and 4 users who would benefit from this foot will require softer or stiffer springs as appropriate for the individual. Refer to Instructions for Use for further information.

Spring set recommendations are for trans-tibial users. For trans-femoral we suggest selecting a spring set one level lower.

Activity

3

User Weight

44-52 53-59 60-68 69-77 78-88 89-100 101-116 117-125 kg
100-115 116-130 131-150 151-170 171-195 196-220 221-255 256-275 lbs

1 2 3 4 5 6 7 8

Spring set

32

†Component weight shown is for a size 26cm without foot shell.

Elite2 Schematics

1 Spring Kits

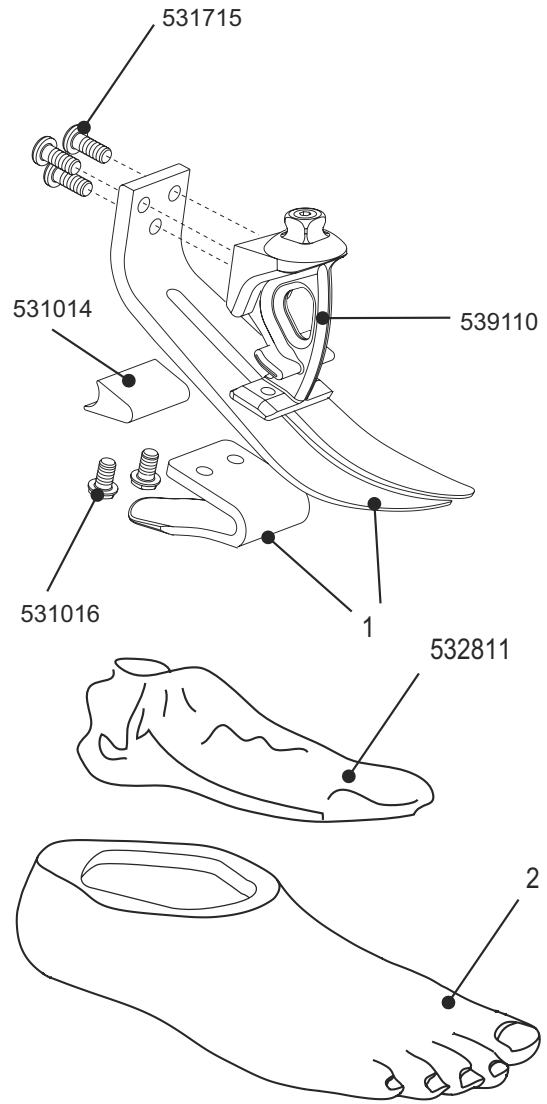
Foot Size	Foot size	Foot size
24-26	27-28	29-30
Set 1 - 539710	Set 1 - 539719	Set 1 - Special
Set 2 - 539711	Set 2 - 539720	Set 2 - order only
Set 3 - 539712	Set 3 - 539721	Set 3 - 539730
Set 4 - 539713	Set 4 - 539722	Set 4 - 539731
Set 5 - 539714	Set 5 - 539723	Set 5 - 539732
Set 6 - 539715	Set 6 - 539724	Set 6 - 539733
Set 7 - 539716	Set 7 - 539725	Set 7 - 539734
Set 8 - 539717	Set 8 - 539726	Set 8 - 539735
Set 9 - 539718	Set 9 - 539727	Set 9 - 539736

2 Foot shell:*

Left	Part Number	Right	Part Number
24L	539005	24R	539006
25L	539007	25R	539008
26L	539009	26R	539010
27L	539011	27R	539012
28L	539013	28R	539014
29L	539015	29R	539016
30L	539017	30R	539018

*For dark tone add suffix D

Instructions for use 938223



Build part numbers are for assembly guidance only and may not be for sale separately.

Lightweight activity foot for efficient energy return.

Elite2

Features

- Enhanced e-carbon foot springs
- Ground compliance from Tripod System™
- Split toe
- Lightweight design
- Variable spring stiffness heel wedge
- Low build height and easy to finish

Foot shell and glide sock included.



Specifications

Max. User Weight:	166kg
Activity Level:	3-4
Size Range:	24cm-30cm
Component Weight:	420g [†]
Build Height:	130mm
Heel Height:	10mm



Suitable for submersion

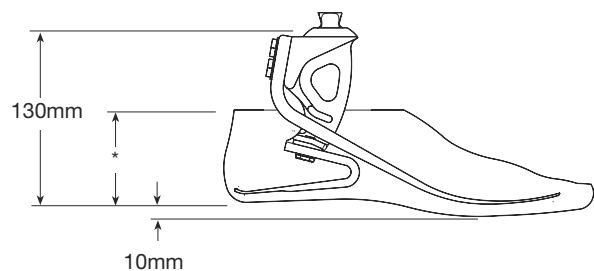
Order Example

Product Code	Size	Side	Spring Set
EL	25	L	5

For dark tone add suffix D.

Foot example: Elite2, size 25 left, spring rating 5.

Build Height



* sizes 24/28 = 70mm
29/30 = 80mm

Impact	Activity	User Weight										Foot spring set
		44-52	53-59	60-68	69-77	78-88	89-100	101-116	117-130	131-147	148-166 kg	
Low	3	1	1	2	3	4	5	6	7	8	9	
Mod	4	1	2	3	4	5	6	7	8	9	-	
High	4	2	3	4	5	6	7	8	9	-	-	

Spring set recommendations are for trans-tibial users. For trans-femoral use we suggest selecting a spring set one level lower.

[†]Component weight shown is for a size 26cm without foot shell.

EliteVT Schematics

1 Spring Kits

Foot Size	Foot Size	Foot Size
24-26	27-28	29-30

Set 1 - 539710	Set 1 - 539719	Set 1 - Special
Set 2 - 539711	Set 2 - 539720	Set 2 - order only
Set 3 - 539712	Set 3 - 539721	Set 3 - 539730
Set 4 - 539713	Set 4 - 539722	Set 4 - 539731
Set 5 - 539714	Set 5 - 539723	Set 5 - 539732
Set 6 - 539715	Set 6 - 539724	Set 6 - 539733
Set 7 - 539716	Set 7 - 539725	Set 7 - 539734
Set 8 - 539717	Set 8 - 539726	Set 8 - 539735
Set 9 - 539718	Set 9 - 539727	Set 9 - 539736

2 Foot shells*

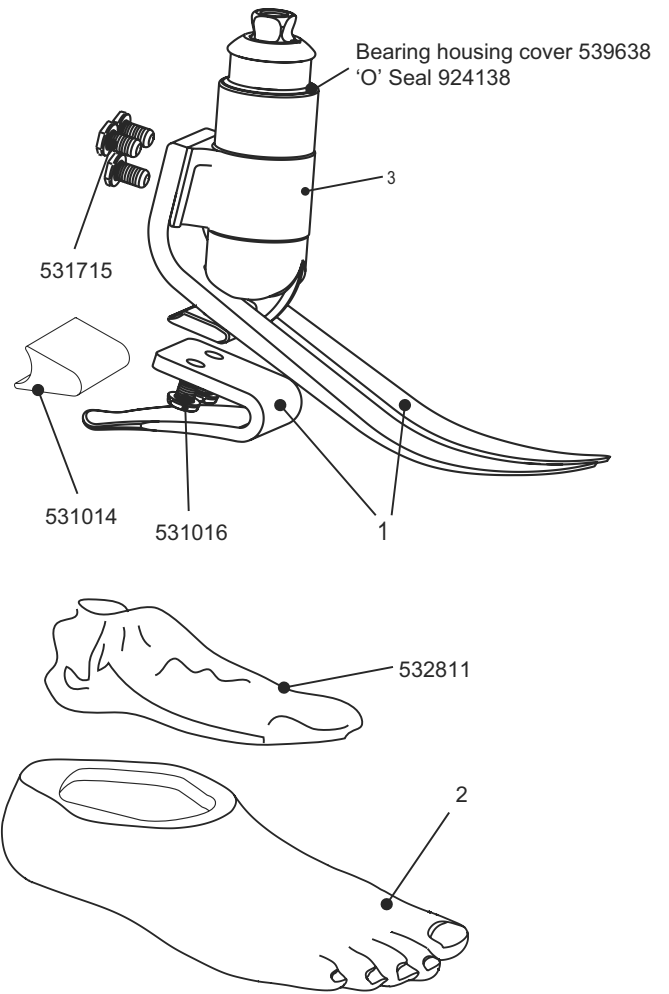
Left	Part Number	Right	Part Number
24L	539005	24R	539006
25L	539007	25R	539008
26L	539009	26R	539010
27L	539011	27R <td 539012	
28L	539013	28R	539014
29L	539015	29R	539016
30L	539017	30R	539018

*For dark tone add suffix D

3 Carrier assembly

Rate 1 - 539138	Axial Shock Springs (not shown)
Rate 2 - 539238	Rate 1 - 539058
Rate 3 - 539338	Rate 2 - 539059
Rate 4 - 539438	Rate 3 - 539060
	Rate 4 - 539061

Instructions for use 938289



Active foot with integral shock absorption, rotation and flexibility.

EliteVT

Features

- Precision titanium spring for vertical compression and axial rotation
- Progressive response to axial loading
- Controlled and efficient energy return
- Independent e-carbon foot springs
- Variable spring stiffness heel wedge
- Compact, low maintenance and cosmetic

Foot shell and glide sock included.



Specifications

Max. User Weight:	166kg
Activity Level:	3-4
Max. Rotation:	+/-15deg
Size Range:	24cm-30cm
Component Weight:	750g†
Build Height:	170mm
Heel Height:	10mm



Suitable for outdoor use

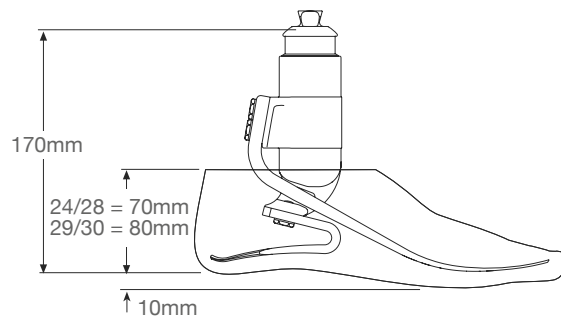
Order Example

Product Code	Size	Side	Spring Set	Shock Spring
EVT	25	L	7	3

For dark tone add suffix D.

Foot example: EliteVT, size 25 left, spring set 7, shock spring 3.

Build Height



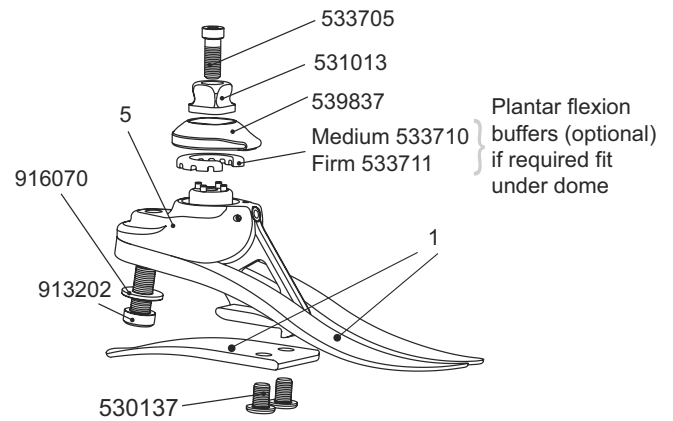
Impact Activity	User Weight										Foot spring set
	44-52 100-115	53-59 116-130	60-68 131-150	69-77 151-170	78-88 171-195	89-100 196-220	101-116 221-255	117-130 256-285	131-147 286-325	148-166 326-365 lbs	
Low 3	1	1	2	3	4	5	6	7	8	9	4 3
Mod 4	1	2	3	4	5	6	7	8	9	-	
High 4	2	3	4	5	6	7	8	9	-	-	
Spring set recommendations are for trans-tibial users. For trans-femoral use we suggest selecting a spring set one level lower.		♣ 1	♣ 2	♣ 3	♣ 4						

†Component weight shown is for a size 26cm without foot shell.

Epirus Schematics

1 Spring Kits

Foot Size	Foot size	Foot size	Foot size
22-24	25-26	27-28	29-30
Set 1 - 539801	Set 1 - 539810	Set 1 - 539819	Set 1 - 539828
Set 2 - 539802	Set 2 - 539811	Set 2 - 539820	Set 2 - 539829
Set 3 - 539803	Set 3 - 539812	Set 3 - 539821	Set 3 - 539830
Set 4 - 539804	Set 4 - 539813	Set 4 - 539822	Set 4 - 539831
Set 5 - 539805	Set 5 - 539814	Set 5 - 539823	Set 5 - 539832
Set 6 - 539806	Set 6 - 539815	Set 6 - 539824	Set 6 - 539833
Set 7 - 539807	Set 7 - 539816	Set 7 - 539825	Set 7 - 539834
Set 8 - 539808	Set 8 - 539817	Set 8 - 539826	Set 8 - 539835



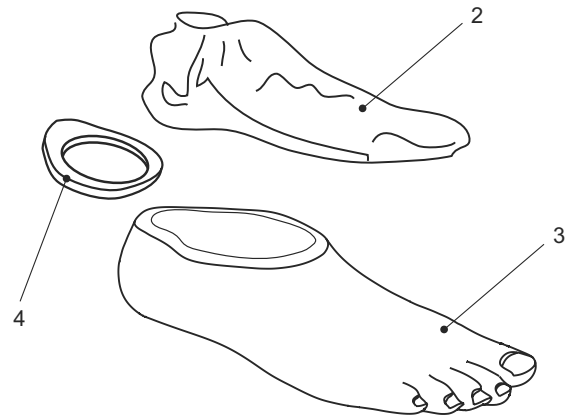
2 Glide Sock

Sizes 22 to 26
 Sizes 27 to 30

531011
 532811

3 Foot shell*

Left	Part Number	Right	Part Number
22L	539038	22R	539039
23L	539040	23R	539041
24L	539042	24R	539043
25L	539044	25R	539045
26L	539046	26R	539047
27L	539048	27R	539049
28L	539050	28R	539051
29L	539052	29R	539053
30L	539054	30R	539055



4 Cosmetic Interface*

Left	Part Number	Right	Part Number
22L	530138	22R	530138
23L	530138	23R	530138
24L	530138	24R	530138
25L	531035	25R	531035
26L	531035	26R	531035
27L	531935	27R	531935
28L	531936	28R	531936
29L	532831	29R	532832
30L	532833	30R	532834

*For dark tone add suffix D

5 Carrier Assembly

Small 22-24	539437
Medium 25-26	539537
Large 27-30	539637

Instructions for use 938276

Low profile foot with ankle joint and split toe.

Epirus

Features

- Multi-axial ankle motion with tripod stability
- Independent e-carbon foot springs
- Choice of PF and DF stiffness
- Ground compliance and energy efficient response
- Foot shell with cosmetic attachment plate

Foot shell, cosmetic interface and glide sock included.



Specifications

Max. User Weight:	125kg
Activity Level:	3
Size Range:	22cm-30cm
Component Weight:	400g [†]
Build Height:	85mm
Heel Height:	10mm



Suitable for outdoor use

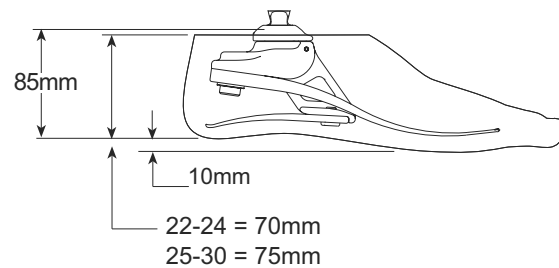
Order Example

Product Code	Size	Side	Spring Set
EP	25	L	5

For dark tone add suffix D.

Foot example: Epirus, size 25 left, spring rating 5.

Build Height



Activity Level 2 and 4 users who would benefit from this foot will require softer or stiffer springs as appropriate for the individual. Refer to Instructions for Use for further information.

Spring set recommendations are for trans-tibial users. For trans-femoral we suggest selecting a spring set one level lower.

Activity
3

User Weight

44-52	53-59	60-68	69-77	78-88	89-100	101-116	117-125	kg
100-115	116-130	131-150	151-170	171-195	196-220	221-255	256-275	lbs

1	2	3	4	5	6	7	8
---	---	---	---	---	---	---	---

Spring set



[†]Component weight shown is for a size 26cm without foot shell.

Esprit Schematics

1 Spring Kits

Foot Size	Foot size	Foot size	Foot size
22-24	25-26	27-28	29-30
Set 1 - 539801	Set 1 - 539810	Set 1 - 539819	Set 1 - 539828
Set 2 - 539802	Set 2 - 539811	Set 2 - 539820	Set 2 - 539829
Set 3 - 539803	Set 3 - 539812	Set 3 - 539821	Set 3 - 539830
Set 4 - 539804	Set 4 - 539813	Set 4 - 539822	Set 4 - 539831
Set 5 - 539805	Set 5 - 539814	Set 5 - 539823	Set 5 - 539832
Set 6 - 539806	Set 6 - 539815	Set 6 - 539824	Set 6 - 539833
Set 7 - 539807	Set 7 - 539816	Set 7 - 539825	Set 7 - 539834
Set 8 - 539808	Set 8 - 539817	Set 8 - 539826	Set 8 - 539835

2 Glide Sock

Sizes 22 to 26	531011
Sizes 27 to 30	532811

3 Foot shell*

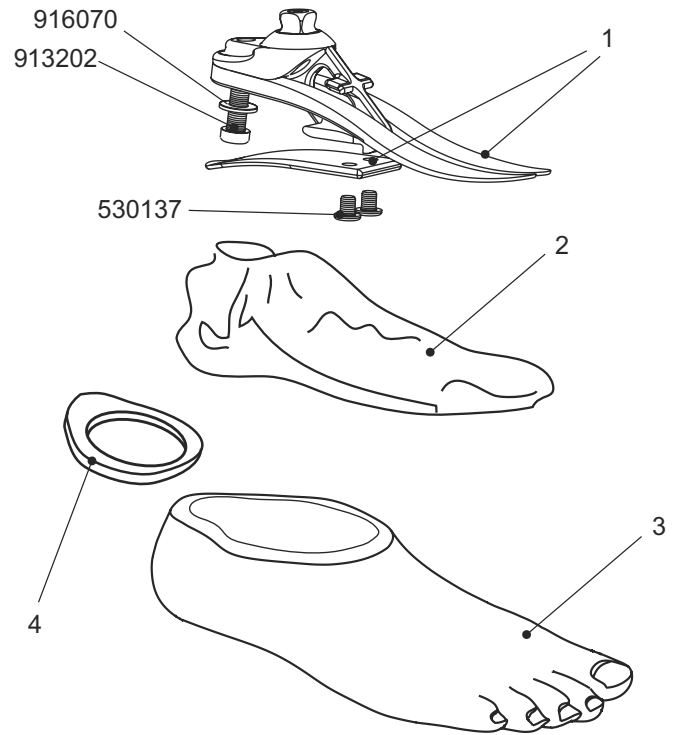
Left	Part Number	Right	Part Number
22L	539038	22R	539039
23L	539040	23R	539041
24L	539042	24R	539043
25L	539044	25R	539045
26L	539046	26R	539047
27L	539048	27R	539049
28L	539050	28R	539051
29L	539052	29R	539053
30L	539054	30R	539055

4 Cosmetic Interface*

Left	Part Number	Right	Part Number
22L	530138	22R	530138
23L	530138	23R	530138
24L	530138	24R	530138
25L	531035	25R	531035
26L	531035	26R	531035
27L	531935	27R	531935
28L	531936	28R	531936
29L	532831	29R	532832
30L	532833	30R	532834

*For dark tone add suffix D

Instructions for use **938264**



Low profile foot with split toe springs for energy response.

Esprit

Features

- Low profile foot with e-carbon springs
- Lightweight and easy to finish
- Tripod design with split toe
- Ideal for longer residual limbs or where additional components are required

Foot shell, cosmetic interface and glide sock included.



Specifications

Max. User Weight:	125kg
Activity Level:	3
Size Range:	22cm-30cm
Component Weight:	317g [†]
Build Height:	65mm size 22-24 70mm size 25-26 75mm size 27-30
Heel Height:	10mm



Suitable for submersion

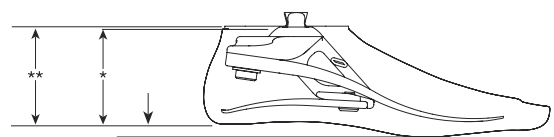
Order Example

Product Code	Size	Side	Spring Set
ESP	25	L	5

For dark tone add suffix D.

Foot example: Esprit, size 25 left, spring rating 5.

Build Height



10mm

** sizes
22-24 = 70mm
25-30 = 75mm

* sizes
22-24 = 65mm
25-26 = 70mm
27-30 = 75mm

Activity Level 2 and 4 users who would benefit from this foot will require softer or stiffer springs as appropriate for the individual. Refer to Instructions for Use for further information.

Spring set recommendations are for trans-tibial users. For trans-femoral we suggest selecting a spring set one level lower.

Activity
3

User Weight

44-52	53-59	60-68	69-77	78-88	89-100	101-116	117-125	kg
100-115	116-130	131-150	151-170	171-195	196-220	221-255	256-275	lbs

1	2	3	4	5	6	7	8
---	---	---	---	---	---	---	---

Spring set



[†]Component weight shown is for a size 26cm without foot shell.

Elite Blade Schematics

1 Spring Kits:

Foot Size	Foot Size	Foot Size
24-26	27-28	29-30
Set 1 - 539610	Set 1 - 539619	Set 1 - Special
Set 2 - 539611	Set 2 - 539620	Set 2 - order only
Set 3 - 539612	Set 3 - 539621	Set 3 - 539630
Set 4 - 539613	Set 4 - 539622	Set 4 - 539631
Set 5 - 539614	Set 5 - 539623	Set 5 - 539632
Set 6 - 539615	Set 6 - 539624	Set 6 - 539633
Set 7 - 539616	Set 7 - 539625	Set 7 - 539634
Set 8 - 539617	Set 8 - 539626	Set 8 - 539635
Set 9 - 539618	Set 9 - 539627	Set 9 - 539636

2 Glide Sock: All sizes - 532811

3 Foot shells:*

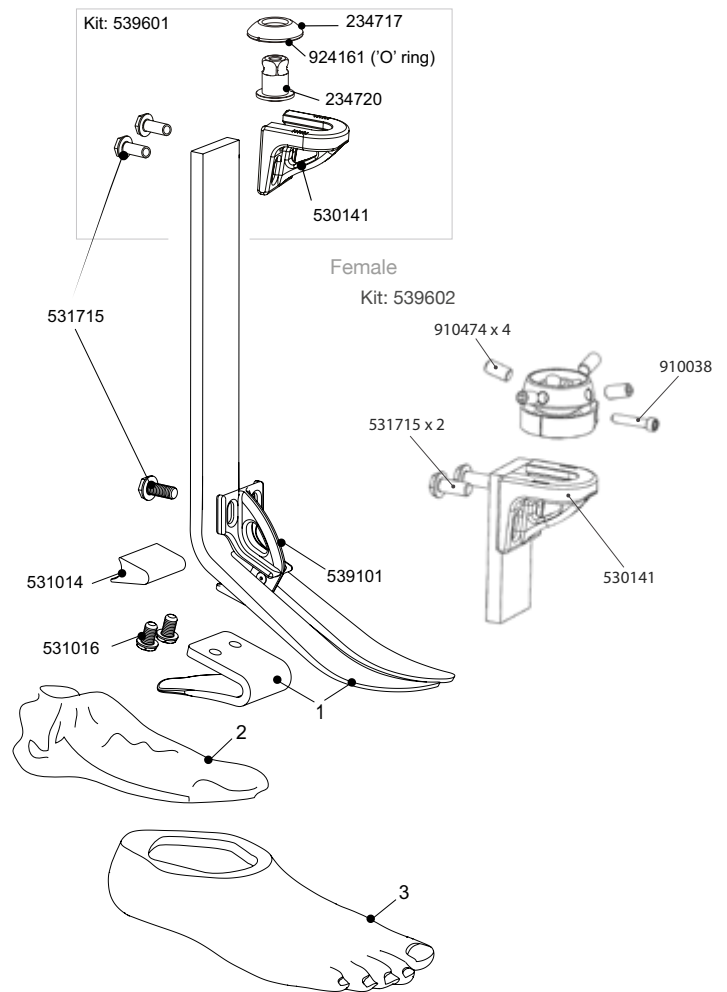
Left	Part Number	Right	Part Number
24L	539005	24R	539006
25L	539007	25R	539008
26L	539009	26R	539010
27L	539011	27R	539012
28L	539013	28R	539014
29L	539015	29R </td <td>539016</td>	539016
30L	539017	30R	539018

*For dark tone add suffix D

Fitting Clamp:

Elite Blade Cutting Jig 941255
Use also as cutting and drilling guide. Available separately.

Instructions For Use 938295



Build part numbers are for assembly guidance only and may not be for sale separately.

Flexible and lightweight blade for high energy return.

Elite Blade

Features

- e-carbon foot with independent springs
- Lightweight with dynamic forward progression
- Spring range from low to high impact
- Variable spring stiffness heel wedge
- Male or female sliding & rotating housings

Foot shell and glide sock included.

Specifications

Max. User Weight:	166kg
Activity Level:	3-4
Size Range:	24cm-30cm
Component Weight:	500g [†]
Build Height:	200mm - 365mm (min - max)
Heel Height:	10mm






Order Example

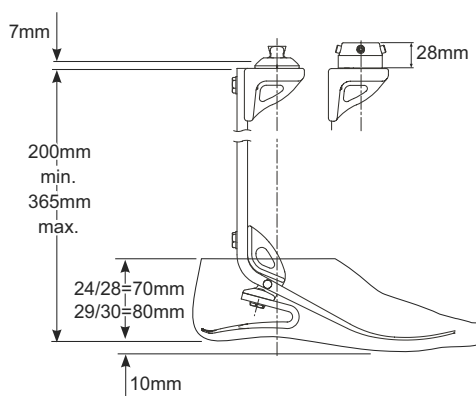
Product Code	Size	Side	Spring Set	+ Top Housing
EB	25	L	5	Adapter

For dark tone add suffix D.
Foot examples: Elite Blade, size 25 left, spring rating 5

Accessories

Foot Shell Cover	539087	
Top housing male	539601	
Top housing female	539602	

Build Height



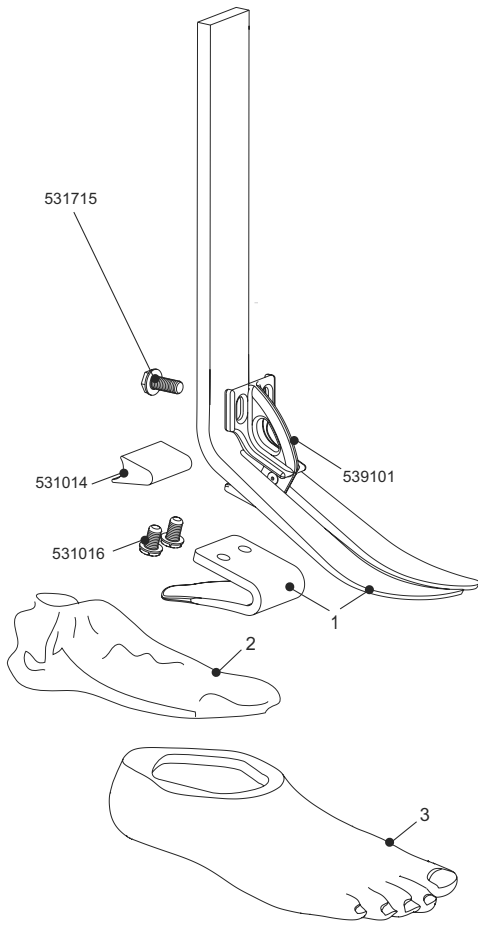
Impact	Activity	User Weight										Foot spring set
		44-52 100-115	53-59 116-130	60-68 131-150	69-77 151-170	78-88 171-195	89-100 196-220	101-116 221-255	117-130 256-285	131-147 286-325	148-166 kg 326-365 lbs	
Low	3	1	1	2	3	4	5	6	7	8	9	
Mod	4	1	2	3	4	5	6	7	8	9	-	
High	4	2	3	4	5	6	7	8	9	-	-	

Spring set recommendations are for trans-tibial users. For trans-femoral use we suggest selecting a spring set one level lower.

[†]Component weight shown is for a size 26cm without foot shell.



Elite BladeVT Schematics



1 Spring Kits

Foot Size	Foot Size	Foot Size
24-26	27-28	29-30
Set 1 - 539610	Set 1 - 539619	Set 1 - Special
Set 2 - 539611	Set 2 - 539620	Set 2 - order only
Set 3 - 539612	Set 3 - 539621	Set 3 - 539630
Set 4 - 539613	Set 4 - 539622	Set 4 - 539631
Set 5 - 539614	Set 5 - 539623	Set 5 - 539632
Set 6 - 539615	Set 6 - 539624	Set 6 - 539633
Set 7 - 539616	Set 7 - 539625	Set 7 - 539634
Set 8 - 539617	Set 8 - 539626	Set 8 - 539635
Set 9 - 539618	Set 9 - 539627	Set 9 - 539636

2 Glide Sock: All sizes - 532811

3 Foot shells:*

Left	Part Number	Right	Part Number
24L	539005	24R	539006
25L	539007	25R	539008
26L	539009	26R	539010
27L	539011	27R	539012
28L	539013	28R	539014
29L	539015	29R	539016
30L	539017	30R	539018

*For dark tone add suffix D

Fitting clamp - 941255 fitting clamp for alignment and set-up.
Use also as cutting and drilling guide. Available separately

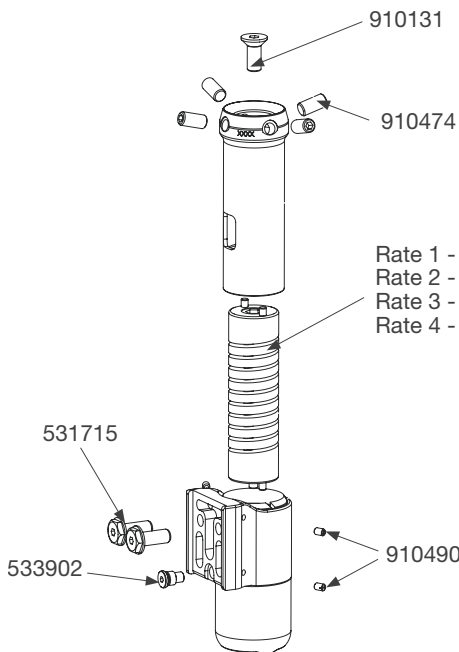
VT (male): VTM1, VTM2, VTM3, VTM4.

VT (female): VTF1, VTF2, VTF3, VTF4.

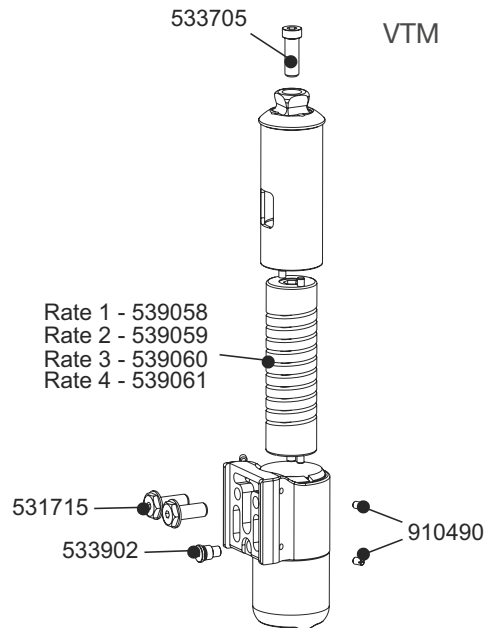
VT cutting jig - 941256

Instructions for Use:

Elite Blade	938295
VTM	938312
VTF	938319
Cutting Jig	938314



VTF



VTM

Build part numbers are for assembly guidance only and may not be for sale separately.

Flexible blade with shock absorption and rotation device.

Elite BladeVT

Features

- Powerful and dynamic forward progression
- Precision machined spring for vertical compression and axial rotation
- Controlled and efficient energy return
- Independent e-carbon foot springs
- Variable spring stiffness heel wedge
- Slimline design is easy to finish

Foot shell and glide sock included.

Specifications

Max. User Weight:	166kg
Activity Level:	3-4
Max. Rotation	+/-15deg
Size Range:	24cm-30cm
Component Weight:	1030g†
Build Height VTM:	215mm - 380mm (min - max)
Build Height VTF:	233mm - 398mm (min - max)
Heel Height:	10mm



Suitable for outdoor use

Order Example

Product Code	Size	Side	Spring Selection	VT Selection	
EB	25	L	5	Male VTM1 VTM2 VTM3 VTM4	Female VTF1 VTF2 VTF3 VTF4

For dark tone add suffix D.
Foot example: Elite BladeVT, size 25 left, spring rating 5.

Accessories

Foot Shell Cover

539087



Tools

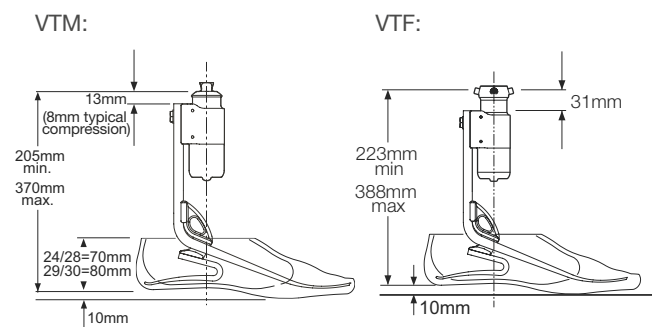


Cutting/drill & fitting jig

VT 941256

Blade 941255

Build Height



Impact Activity	User Weight									Foot spring set	
	44-52 100-115	53-59 116-130	60-68 131-150	69-77 151-170	78-88 171-195	89-100 196-220	101-116 221-255	117-130 256-285	131-147 286-325		148-166 kg 326-365 lbs
Low 3	1	1	2	3	4	5	6	7	8	9	
Mod 4	1	2	3	4	5	6	7	8	9	-	
High 4	2	3	4	5	6	7	8	9	-	-	

†Component weight shown is for a size 26cm without foot shell.

BladeXT Schematics

1 BXT Heel Spring Kits

Include the overmoulded cover, fasteners and heel wedge.

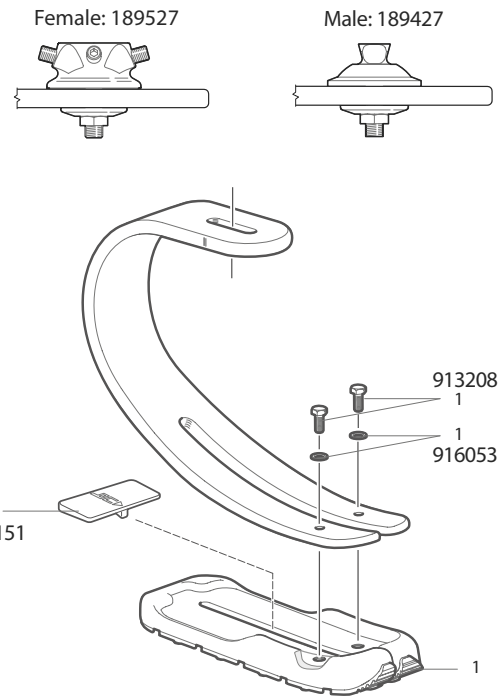
Spring Category	Heel Type	Part No.
1, 2	Soft Sports	539083SS
3, 4, 5	Medium Sports	539083MS
6, 7	Firm Sports	539083FS

Proximal Adapter

Male	189427
Female	189527

Instructions for use 938345

Build part numbers are for assembly guidance only and may not be for sale separately.



Sports blade with powerful twin toe spring and traction heel for postural support and grip.

BladeXT

Features

- Ideal for cross training, running, bat and ball sports
- Controlled acceleration and deceleration
- Ease of alignment incl. A/P slide
- Variable spring stiffness heel wedge
- Heel stiffness adjustment

Specifications

Max. User Weight:	166kg
Activity Level:	4
Spring range:	1-9
Component Weight:	850g cat. 6
Build Height:	250mm (female pyramid) 230mm (male pyramid)



Suitable for submersion

Order Example

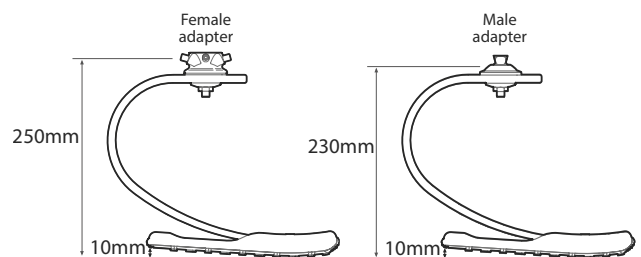
Product Code	Spring Set	Sole	Adapter Type
BXTAG	3	S	F

Foot example: BladeXT, spring rating 3, sport sole, female adapter

Product Code	Spring Set	Sole	Adapter Type
BXTAG	4	S	M

Foot example: BladeXT, spring rating 4, sport sole, male adapter

Build Height



	User	Activity	User Weight										kg lbs
			44-52 100-115	53-59 116-130	60-68 131-150	69-77 151-170	78-88 171-195	89-100 196-220	101-116 221-255	117-130 256-285	131-147 286-325	148-166 326-365	
Jogger	Occasional to frequent recreational running	4	1	2	3	4	5	6	7	8	9	9	
Runner	Frequent distance running and endurance training	4	2	3	4	5	6	7	8	9	9	-	

Important: For higher impact users, do not exceed the weight limit for individual springs.



Javelin Schematics

1 Spring Kits

Foot Size	Foot Size	Foot Size	Foot Size
22-24	25-26	27-28	29-30
Set 1 - 539301	Set 1 - 539510	Set 1 - 539519	Set 1 - Special
Set 2 - 539302	Set 2 - 539511	Set 2 - 539520	Set 2 - order only
Set 3 - 539303	Set 3 - 539512	Set 3 - 539521	Set 3 - 539530
Set 4 - 539304	Set 4 - 539513	Set 4 - 539522	Set 4 - 539531
Set 5 - 539305	Set 5 - 539514	Set 5 - 539523	Set 5 - 539532
Set 6 - 539306	Set 6 - 539515	Set 6 - 539524	Set 6 - 539533
Set 7 - 539307	Set 7 - 539516	Set 7 - 539525	Set 7 - 539534
Set 8 - 539308	Set 8 - 539517	Set 8 - 539526	Set 8 - 539535
	Set 9 - 539518	Set 9 - 539527	Set 9 - 539536

2 Foot shells*

Left	Part Number	Right	Part Number
22L	539038	22R	539039
23L	539040	23R	539041
24L	539042	24R	539043
25L	539044	25R	539045
26L	539046	26R	539047
27L	539048	27R	539049
28L	539050	28R	539051
29L	539052	29R	539053
30L	539054	30R	539055

*For dark tone add suffix D

3 Glide Sock

Sizes 22 to 26	531011
Sizes 27 to 30	532811

4 Cosmetic Interface*

Size	Left	Right	Size	Left	Right
22cm	530138	530138	23cm	530138	530138
24cm	530138	530138	25cm	531035	531035
26cm	531035	531035	27cm	531935	531935
28cm	531936	531936	29cm	532831	532832
30cm	532833	532834			

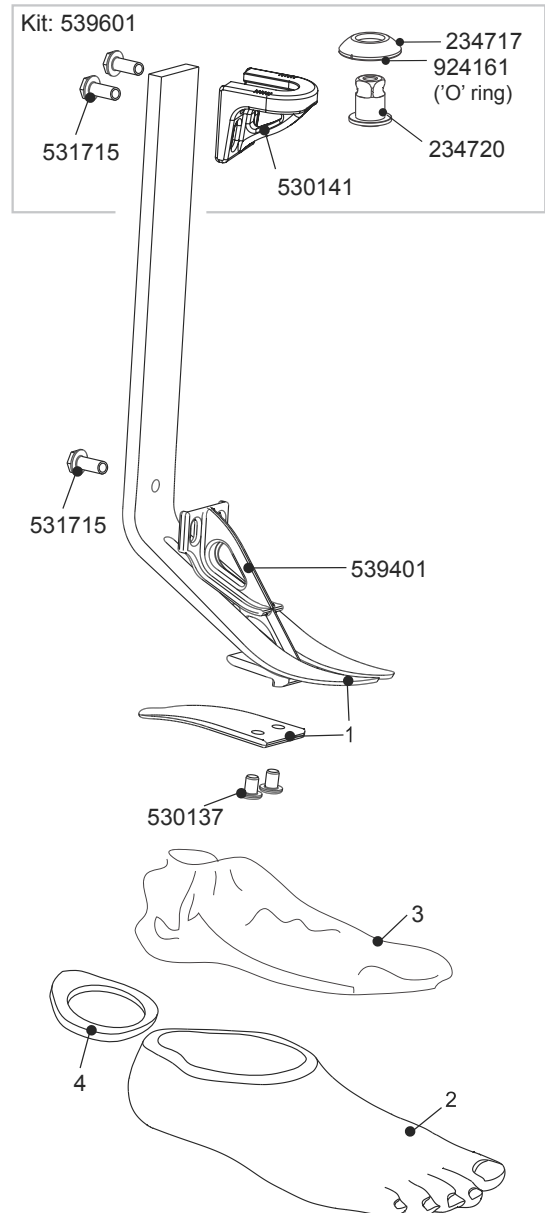
*For dark tone add suffix D

Fitting clamp - 941255 fitting clamp for alignment and set-up. Use also as cutting and drilling guide.
Available separately.

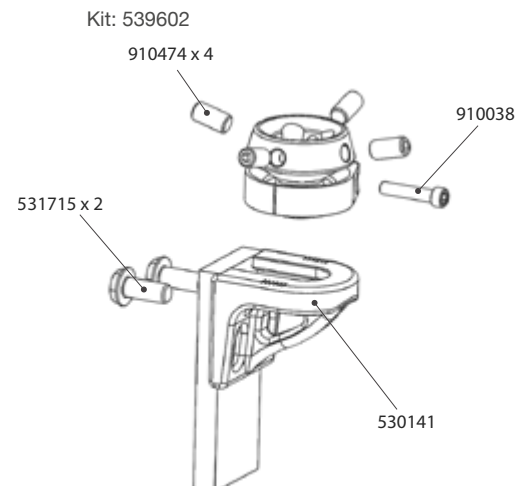
Tools:

Cutting/Drill & Jig Standard	941255
Instructions For Use	938306

Male



Female



Build part numbers are for assembly guidance only and may not be for sale separately.

Lightweight blade, ideal for moderate impact sports and activities.

Javelin

Features

- Small sizes available
- e-carbon foot with independent springs
- Dynamic pylon enhances shock absorption
- Easy to finish cosmetically

Foot shell, cosmetic interface and glide sock included.

Specifications

Max. User Weight:	166kg
Activity Level:	3
Size Range:	22cm-30cm
Component Weight:	444g [†]
Build Height:	200mm - 365mm (min - max)
Heel Height:	10mm



Suitable for submersion






Order Example

Product Code	Size	Side	Spring Set	+ Top Housing
JAV	25	L	5	Adapter

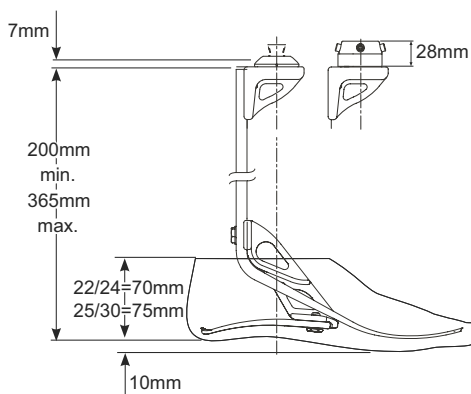
For dark tone add suffix D.

Foot example: Javelin, size 25 left, spring rating 5.

Accessories

Foot Shell Cover	539087	
Top housing male	539601	
Top housing female	539602	

Build Height



Activity Level 2 and 4 users who would benefit from this foot will require softer or stiffer springs as appropriate for the individual. Refer to Instructions for Use for further information.

Spring set recommendations are for trans-tibial users. For trans-femoral we suggest selecting a spring set one level lower.

User Weight

Activity	44-52	53-59	60-68	69-77	78-88	89-100	101-116	117-130	131-147	148-166
	100-115	116-130	131-150	151-170	171-195	196-220	221-255	256-285	286-325	326-365
	kg	kg	kg	kg	kg	kg	kg	kg	kg	kg
	lbs	lbs	lbs	lbs	lbs	lbs	lbs	lbs	lbs	lbs
3	1	1	2	3	4	5	6	7	8	9



[†]Component weight shown is for a size 26cm without foot shell.

Avalon^{K2} Schematics

1. Glide Sock, Sizes 22-30

405815

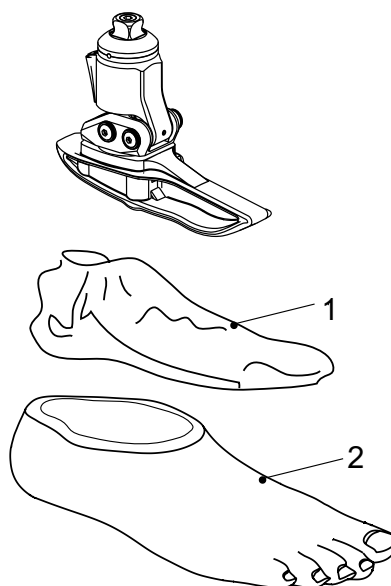
2. Foot shell*

Left	Part Number	Right	Part Number
22L	539020	22R	539021
23L	539022	23R	539023
24L	539024	24R	539025
25L	539026	25R	539027
26L	539028	26R	539029
27L	539030	27R	539031
28L	539032	28R	539033
29L	539034	29R	539035
30L	539036	30R	539037

*For dark tone add suffix D

Hex Key 2.5mm AF
Instructions for use

940234
938327



Build part numbers are for assembly guidance only and may not be for sale separately.

Hydraulic ankle/foot with ergonomic keel for better posture, stability and joint position.

Avalon^{K2}

Features

- Ergonomic keel for ease of rollover
- Increased range of motion to enable greater sit-stand transfer safety
- Increased shock absorption, reduction in interface pressures
- Increased toe clearance in swing phase
- Plantar-flexion compliance when descending steps
- Sandal toe

Foot shell and glide sock included.



Specifications

Max. User Weight:	150kg
Activity Level:	2
Size Range:	22-30cm
Component Weight:	520g [†]
Build Height:	115mm
Heel Height:	10mm
Range of Ankle Motion:	6° plantar to 6° dorsi-flexion



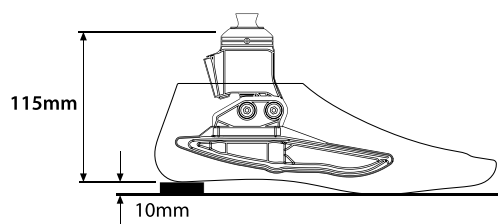
Suitable for submersion

Order Example

Product Code	Size	Side
AV	25	L

For dark tone add suffix D.
Foot example: Avalon^{K2} size 25 left.

Build Height



Accessories

Alignment Wedge

940093



[†]Component weight shown is for a size 26cm without foot shell.



Navigator Schematics

1 Snubber Kits

60° (white)	405605
70° (orange)	405606
80° (blue)	405607

2 Keel

Small	405619
Medium	405719
Large	405819
Extra Large	405919

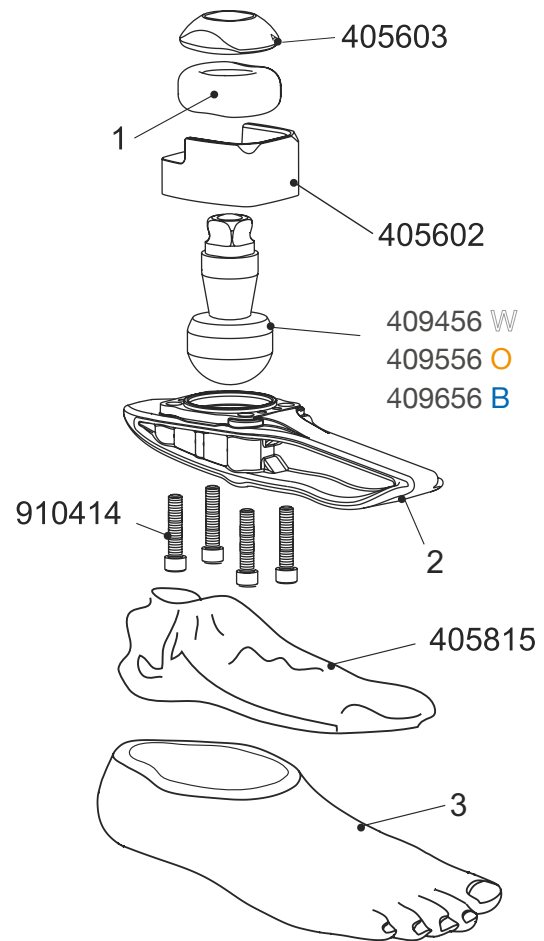
3 Foot shell*

Left	Part Number	Right	Part Number
22L	539020	22R	539021
23L	539022	23R	539023
24L	539024	24R	539025
25L	539026	25R	539027
26L	539028	26R	539029
27L	539030	27R	539031
28L	539032	28R	539033
29L	539034	29R	539035
30L	539036	30R	539037

*For dark tone add suffix D

Cone tool (for assembly)
Instructions for use

940083
938247



Multi-axial foot with flexible keel for comfort and stability.

Navigator

Features

- Multi-axial flexible keel
- Short keel optimized for K2 gait and transfer
- Integrated ankle joint
- Choice of ankle stiffness
- Sandal toe

Foot shell and glide sock included.

Specifications

Max. User Weight:	125kg
Activity Level:	1-3
Size Range:	22cm-30cm
Component Weight:	350g [†]
Build Height:	95mm
Heel Height:	10mm



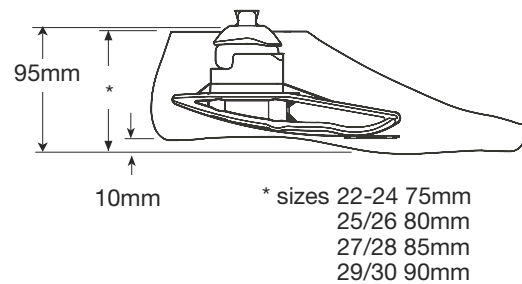
Suitable for outdoor use

Order Example

Product Code	Size	Side	Ball	Snubber
NAV	25	L	W	O

For dark tone add suffix D. Foot example: Navigator, size 25 left, ball rating white, snubber rating orange.

Build Height



Ball and Snubber

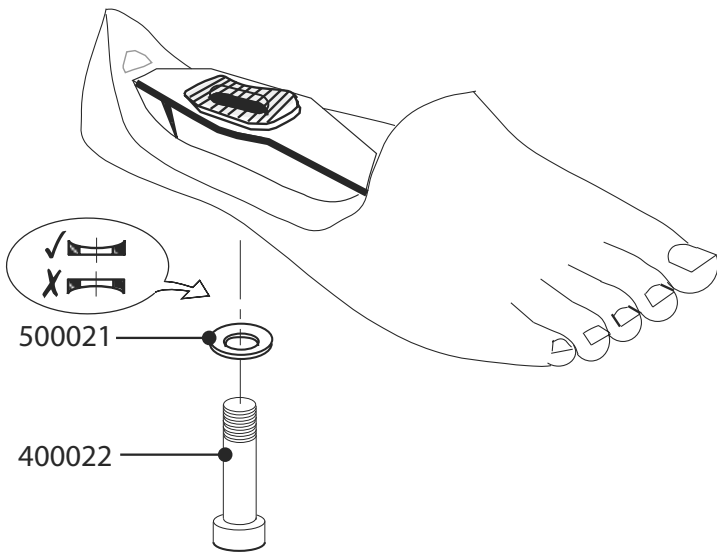
W=white, soft
O=orange, medium
B=blue, hard

Activity	User Weight							kg
	44-52 100-115	53-59 116-130	60-68 131-150	69-77 151-170	78-88 171-195	89-100 196-220	101-125 221-275	
1	WW	WW	WW	WO	OO	OB	BB	Ball and snubber
2	WW	WW	WO	OO	OB	BB	BB	
3	WW	WO	OO	OB	BB	BB	BB	



[†]Component weight shown is for a size 26cm without foot shell.

Multiflex Standard Schematics



Instructions for use

938016

The Multiflex foot and ankle provides the level 1-2 user with multi-axial motion for comfort and stability.

Multiflex Standard

Features

- Multi-axial function
- Low profile
- Sandal toe

Specifications

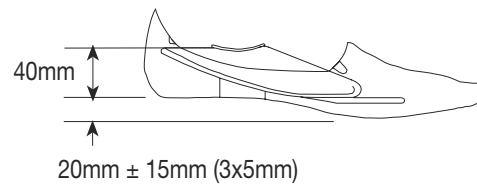
Max. User Weight:	125kg
Activity Level:	1-2
Size Range:	22cm-30cm
Component Weight:	375g [†]
Build Height:	40mm
Heel Height:	20 ± 15mm



Part Numbers

Size	Left	Right
22cm	519119	519120
23cm	519121	519122
24cm	519123	519124
25cm	519125	519126
26cm	519127	519128
27cm	519129	519130
28cm	519131	519132
29cm	519133	519134
30cm	519135	519136

Build Height



Multiflex Ankle Standard 30mm

	Ankle Kits:	30mm 379342 (W) 379343 (O) 379344 (B)
	Snubber Kits:	409007 (W) 409008 (O) 409009 (B)

Multiflex Ankle Pyramid

	Ankle Kits:	409353 (W) 409354 (O) 409355 (B)
	Snubber Kits:	409007 (W) 409008 (O) 409009 (B)

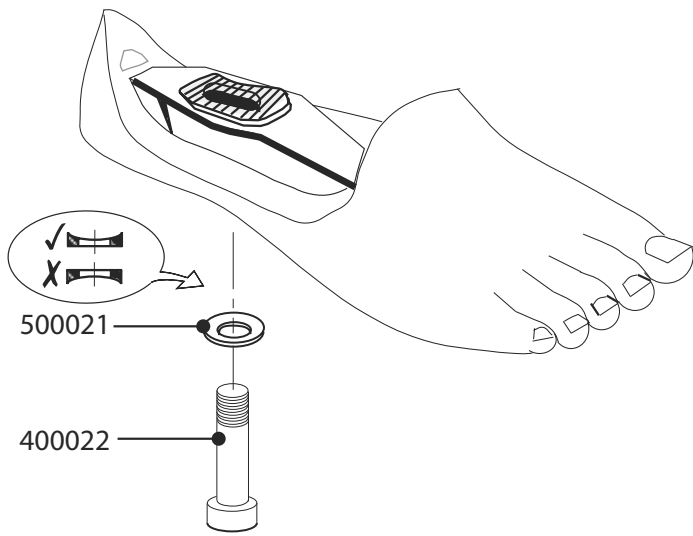
Multiflex ankle and snubber selection.

Activity	User Weight							kg lbs	Ball and snubber
	44-52 100-115	53-59 116-130	60-68 131-150	69-77 151-170	78-88 171-195	89-100 196-220	101-125 221-275		
1-2	WW	WW	WW	WO	OO	OB	BB		



[†]Component weight shown is for a size 26cm.

Multiflex Slim Schematics



Instructions for use

938016

Build part numbers are for assembly guidance only and may not be for sale separately.

The Multiflex foot and ankle in a slimmer width.
Additional heel height capacity allows for a higher heel.

Multiflex Slim

Features

- Multi-axial function
- Low profile
- Sandal toe

Specifications

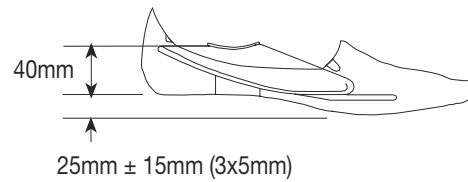
Max. User Weight:	125kg
Activity Level:	1-2
Size Range:	22cm-25cm
Component Weight:	375g [†]
Build Height:	40mm
Heel Height:	25 ± 15mm



Part Numbers

Size	Left	Right
22cm	519141	519142
23cm	519143	519144
24cm	519145	519146
25cm	519147	519148

Build Height



Multiflex Ankle Standard 30mm

	Ankle Kits:	30mm 379342 (W) 379343 (O) 379344 (B)
	Snubber Kits:	409007 (W) 409008 (O) 409009 (B)

Multiflex Ankle Pyramid

	Ankle Kits:	409353 (W) 409354 (O) 409355 (B)
	Snubber Kits:	409007 (W) 409008 (O) 409009 (B)

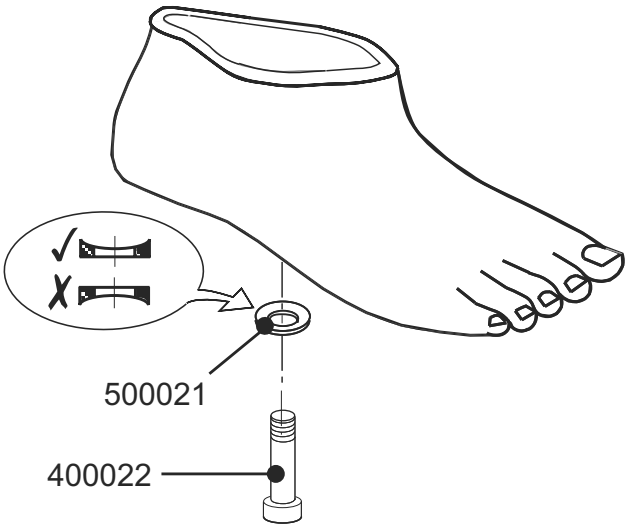
Multiflex ankle and snubber selection.

Activity	User Weight							kg lbs	Ball and snubber
	44-52 100-115	53-59 116-130	60-68 131-150	69-77 151-170	78-88 171-195	89-100 196-220	101-125 221-275		
1-2	WW	WW	WW	WO	OO	OB	BB		



[†]Component weight shown is for a size 26cm.

Multiflex Special Edition Schematics



Instructions for use

938211

Build part numbers are for assembly guidance only and may not be for sale separately.

The Multiflex foot and ankle system within a standard profile Foot shell.

Multiflex Special Edition

Features

- Multi-axial function
- Ankle level Foot shell
- Sandal toe

Specifications

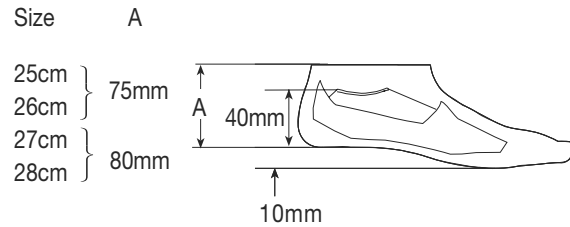
Max. User Weight:	125kg
Activity Level:	1-2
Size Range:	25cm-28cm
Component Weight:	425g [†]
Build Height:	40mm
Heel Height:	10 ± 15mm



Part Numbers

Size	Left	Right
25cm	519525	519526
26cm	519527	519528
27cm	519529	519530
28cm	519531	519532

Build Height



Multiflex Ankle Standard 30mm

	Ankle Kits:	30mm 379342 (W) 379343 (O) 379344 (B)
	Snubber Kits:	409007 (W) 409008 (O) 409009 (B)

Multiflex Ankle Pyramid

	Ankle Kits:	409353 (W) 409354 (O) 409355 (B)
	Snubber Kits:	409007 (W) 409008 (O) 409009 (B)

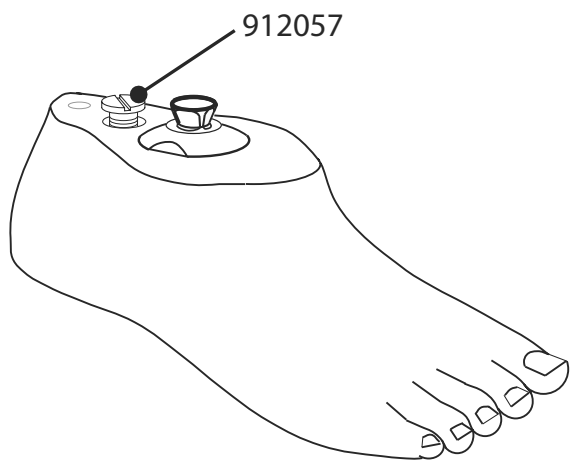
Multiflex ankle and snubber selection.

Activity	User Weight							kg lbs	Ball and snubber
	44-52 100-115	53-59 116-130	60-68 131-150	69-77 151-170	78-88 171-195	89-100 196-220	101-125 221-275		
1-2	WW	WW	WW	WO	OO	OB	BB		



[†]Component weight shown is for a size 26cm.

SuperSACH Schematics



Instructions for use

938086

A cushioned foot with flexible keel and adjustable heel cushion for level 1-2 users.

SuperSACH

Features

- Adjustable heel cushion
- Sandal toe
- Integrated pyramid

Specifications

Max. User Weight:	125kg
Activity Level:	1-2
Size Range:	22cm-28cm
Component Weight:	449g [†]
Build Height:	70mm size 22-24 75mm size 25-26 80mm size 27-28
Heel Height:	19mm



Suitable for submersion

Part Numbers

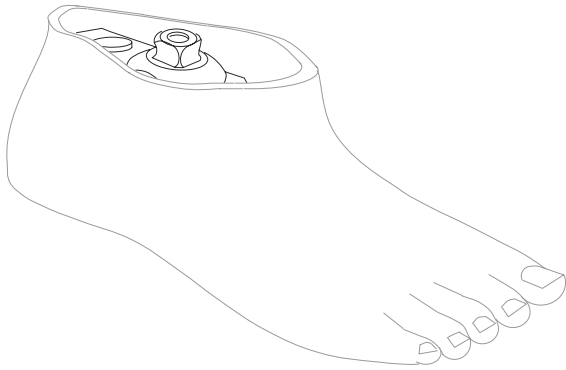
Size	Left	Right
22cm	P529101	P529102
23cm	P529103	P529104
24cm	P529105	P529106
25cm	P529107	P529108
26cm	P529109	P529110
27cm	P529111	P529112
28cm	P529113	P529114

Build Height

Size	A
22cm	70mm
23cm	
24cm	
25cm	75mm
26cm	
27cm	80mm
28cm	

[†]Component weight shown is for a size 26cm.

Senior Schematics



1 Foot Shell*

Left	Part Number	Right	Part Number
22L	529701	22R	529702
23L	529703	23R	529704
24L	529705	24R	529706
25L	529707	25R	529708
26L	529709	26R	529710
27L	529711	27R	529712
28L	529713	28R	529714

*For dark tone add suffix D

Instructions for use

938163

Ultra lightweight foot with heel cushioning for level 1-2 users.

Senior

Features

- Replaceable foot shell
- Sandal toe
- Flexible keel
- Integrated pyramid

Specifications

Max. User Weight:	125kg
Activity Level:	1-2
Size Range:	22cm-28cm
Component Weight:	395g [†]
Build Height:	70mm size 22-24 75mm size 25-26 80mm size 27-28
Heel Height:	19mm



Suitable for submersion

Order Example

Product Code	Size	Side
SNR	25	L

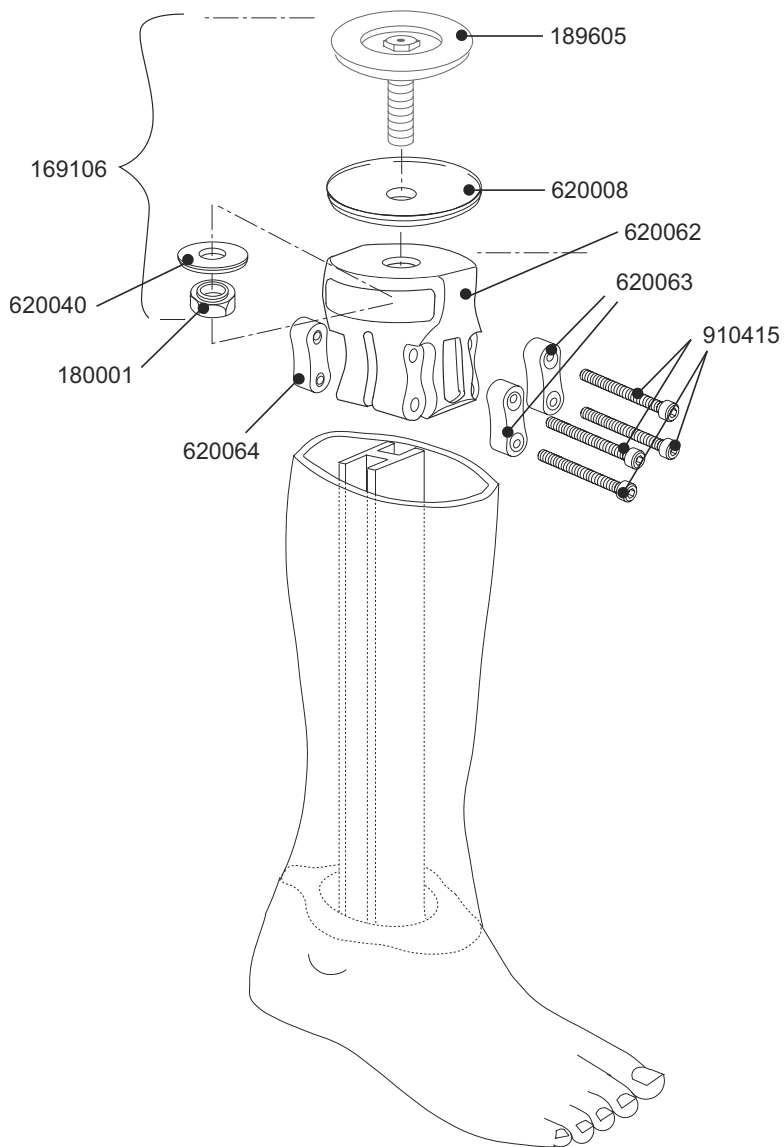
For dark tone add suffix D.
Foot example: Senior, size 25 left.

Build Height

Size	A
22cm	70mm
23cm	
24cm	
25cm	75mm
26cm	
27cm	80mm
28cm	

[†]Component weight shown is for a size 26cm.

Aqualimb TT Schematics



Instructions for use

938255

Build part numbers are for assembly guidance only and may not be for sale separately.

A waterproof prosthesis with integral shin and cosmesis.
For use in the shower and wet environments.

Aqualimb TT

Features

- Integral shin and cosmesis
- Rapid assembly
- Full alignment device included
- Anti-slip tread pattern on sole

Specifications

Max. User Weight:	100kg
Activity Level:	1-2
Size Range:	22cm-27cm
Component Weight:	1.39kg [†]
Build Height:	280 to 415mm
Heel Height:	5mm

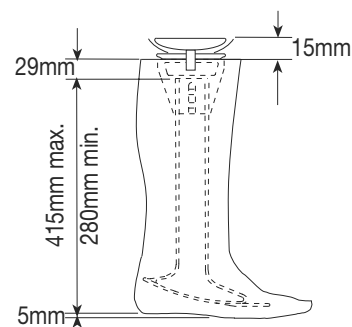


Suitable for submersion

Part Numbers

Size	Left	Right
22cm	629705L	629706L
23cm	629707L	629708L
24cm	629709L	629710L
25cm	629711L	629712L
26cm	629713L	629714L
27cm	629715L	629716L

Build Height



[†]Component weight shown is for a size 26cm.

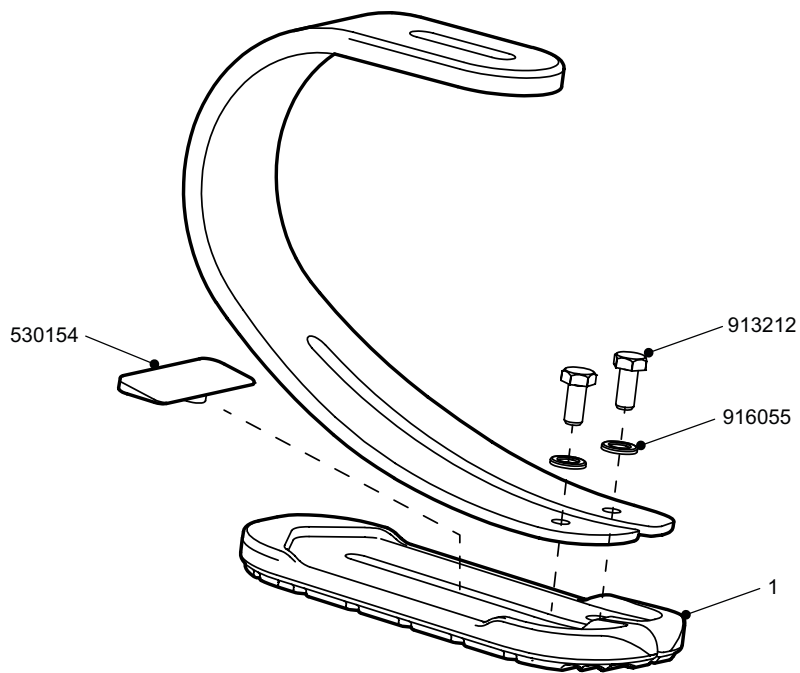
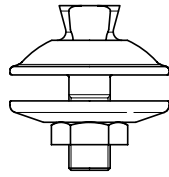




Junior

Mini BladeXT Schematics

Male Mini Pyramid
189627



1 MBXT Heel Spring Kits — include the overmoulded cover, screws, washers and heel wedge.

Spring Category	Heel Type	Part No.
1	Soft Sports	539084SS
2	Medium Sports	539084MS
3	Firm Sports	539084FS

Proximal Adapter	Part No.
Male Mini Pyramid	189627

Instructions For Use	938371
----------------------	--------

Build part numbers are for assembly guidance only and may not be for sale separately.

A versatile paediatric blade suitable for a range of activities.

Mini BladeXT

Features

- Twin toe and heel springs
- Split toe design
- Traction sole
- Heel stiffness wedge
- Waterproof
- Field replaceable heel spring kit
- Male mini pyramid with 30mm shift and rotation

Specifications

User Weight:	20-60kg
Amputation Level:	All
Activity Level:	3-4
Spring Range:	1-3
Component Weight:	450g (including male mini pyramid)
Build Height:	168mm
Colour Options:	Dazzling Pink (P) or Electric Blue (B)



Order Example

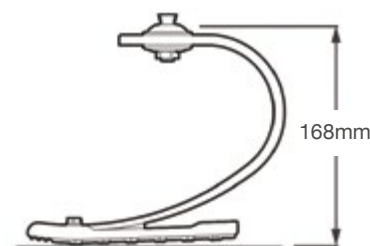
Product Code	Colour	Spring Set
MBXTA	B	3

Foot example: Mini BladeXT, Colour Blue, Spring Set 3.

Product Code	Colour	Spring Set
MBXTA	P	1

Foot example: Mini BladeXT, Colour Pink, Spring Set 1.

Build Height



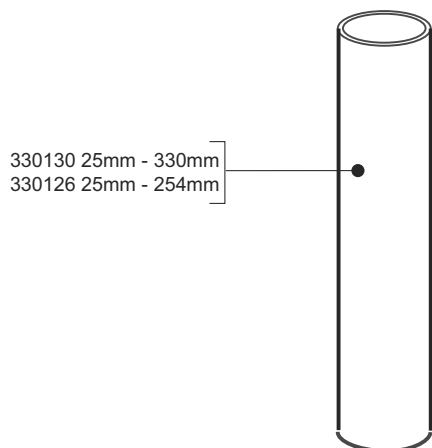
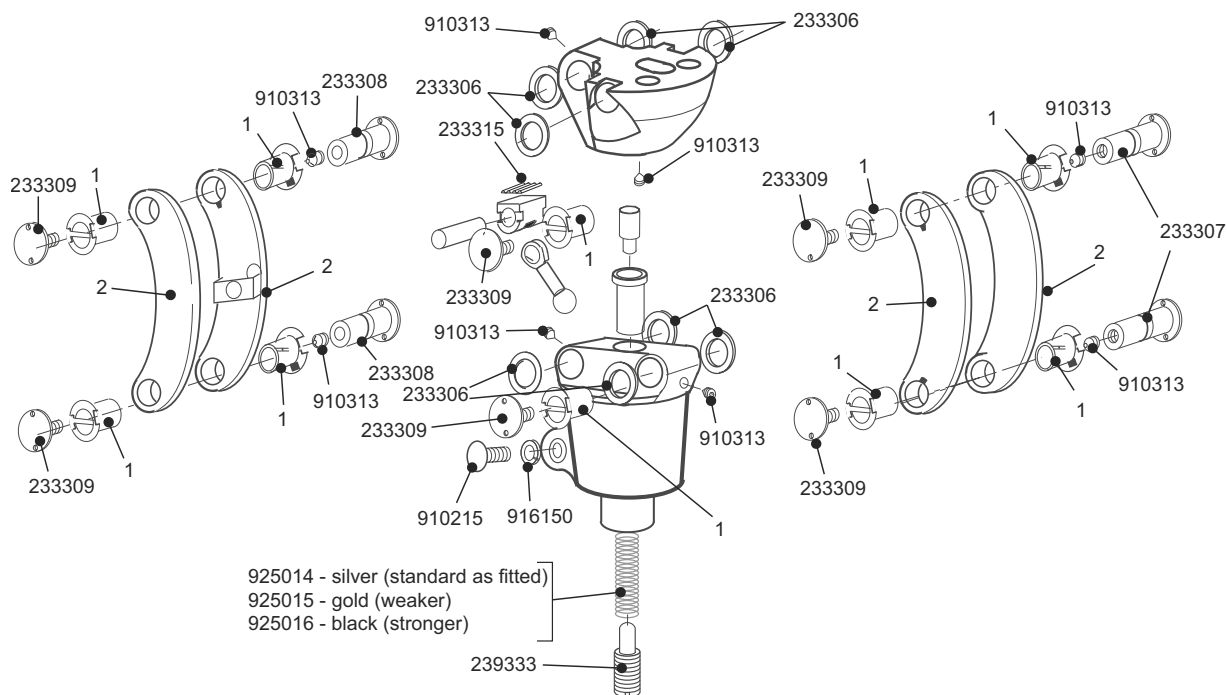
Activity	User Weight			Toe and Heel Spring Set
	20-35 44-77	36-50 78-110	51-60 111-132	
3-4	1 Soft	2 Medium	3 Firm	



Child's 4-bar Knee Schematics

TT system

019245



1. 339006 Bearing Kit (x8 bearings)
2. 339010 Replacement Link Kit (incl' x8 bearings)

Instructions for use

Knee 938017

Knee with tube 938103

A durable and lightweight polycentric knee designed for active children.

Child's 4-bar Knee

Features

- Polycentric knee for stance stability
- Adjustable extension assist spring
- Wide range of alignment
- Low build height

Specifications

Max. User Weight:	60kg
Activity Level:	1-4
Component Weight:	450g
Build Height:	105mm



Suitable for outdoor use

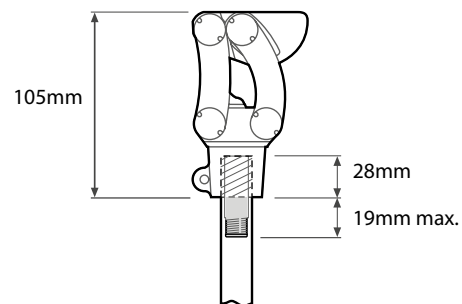
Part Number

Child's 4-bar Knee with 330mm tube	019245
Child's 4-bar Knee without tube	239133

Adapters

Standard Socket Alignment Kit:	189226	
Lamination Socket Alignment Kit:	189126	
M30 Laminate Adapter 4 Prong Kit	189626	
M30 Childs Adapter Kit	189726	
Female Mini Pyramid Pylon Kit 25mm	409099	

Fitting Length

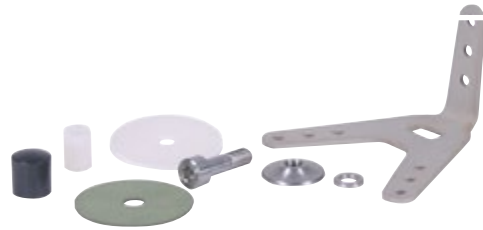


Junior

Number	Description	Part Number	Build height	Weight	Max. User Weight. /Activity Level
1	Child's TT system with 25mm shin tube	019145	85-279mm (+16)	225g	60kg / 1-4
2	Child's socket attachment plate for lamination	189126	10mm	125g	60kg/ 1-4
3	Child's TF alignment kit- endolite full alignment	189226	20mm	64g	60kg / 1-4
4	Child's ankle disarticulation kit	189326	45mm	45g	60kg / 1-4
5	Ankle clamp for Child's Play foot size 13-15cm	409021	48mm (20+28mm)	69g	60kg / 1-4
	Ankle clamp for Child's Play foot size 16-18cm	409022	48mm (20+28mm)	69g	60kg / 1-4
	Ankle clamp for Child's Play foot size 19-21cm	409023	48mm (20+28mm)	69g	60kg / 1-4
6	Pylon adapter for Child's Play - low profile size 13-15cm	409043	64-102mm (tt inc. upper housing) 115-152mm (TF inc. knee)	70g	60kg / 1-4
	Pylon adapter for Child's Play - low profile size 16-18cm	409044	64-102mm (tt inc. upper housing) 115-152mm (TF inc. knee)	70g	60kg / 1-4
	Pylon adapter for Child's Play - low profile size 19-21cm	409045	64-102mm (tt inc. upper housing) 115-152mm (TF inc. knee)	70g	60kg / 1-4
7	Child's SACH foot adapter 25mm	409026	49mm (21+28mm)	110g	60kg / 1-4
8	Pylon adapter for SACH foot- low profile	409046	64-102mm (Tt inc. upper housing) 115-152mm (TF inc. knee)	75g	60kg / 1-4
9	TT upper housing - Endolite full alignment)	189426	41mm (25+16mm)	165g	60kg / 1-4
10	M30 Child's Adaptor for 4 Bar Knee	189726	12mm	55g	60kg/1-4
11	M30 4 Prong Laminate Adapter	189626	10mm	100g	60kg/1-4
12	Female Mini Pyramid Pylon	409099	TT-50mm to 80mm TF-60mm to 80mm	96g	60kg/1-4



1



2



3



4



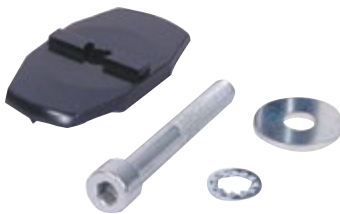
5



6



7



8



9



10



11

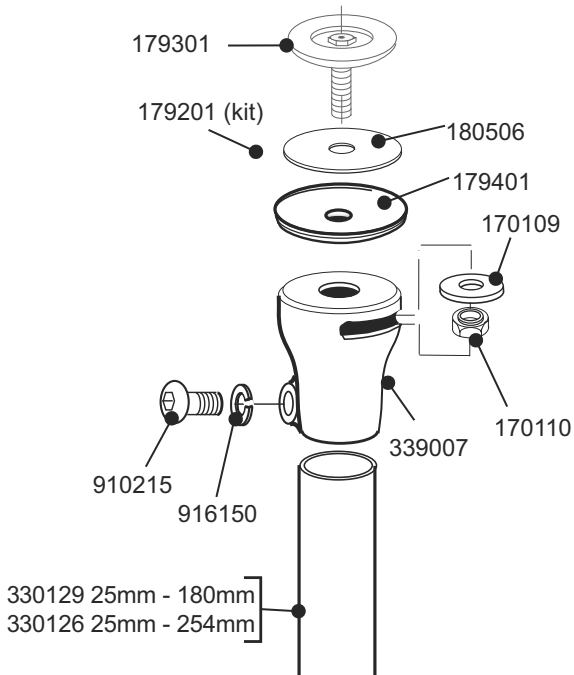


12

Please note that products are not shown to relative scale.

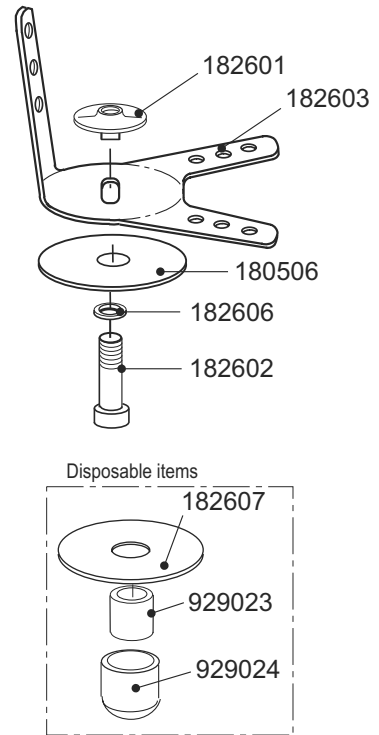
Junior Schematics

TT system 019145



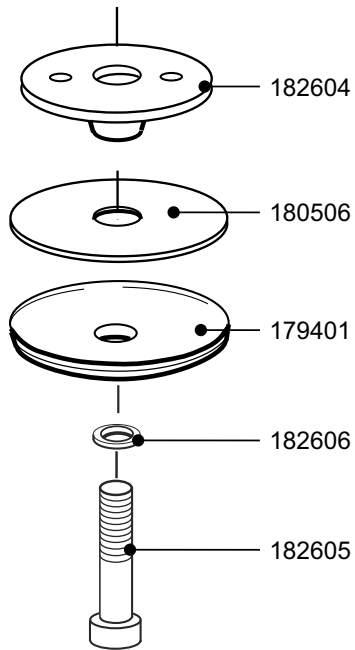
Instructions for use 938115

Tf alignment kit 189126



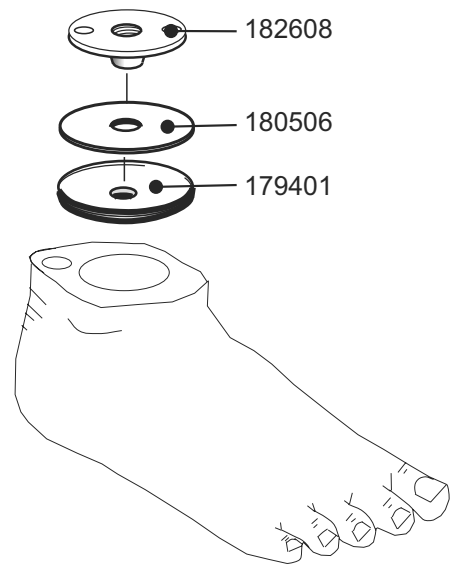
Instructions for use 938112

Alignment kit 189226



Instructions for use 938109

Ankle disarticulation kit 189326

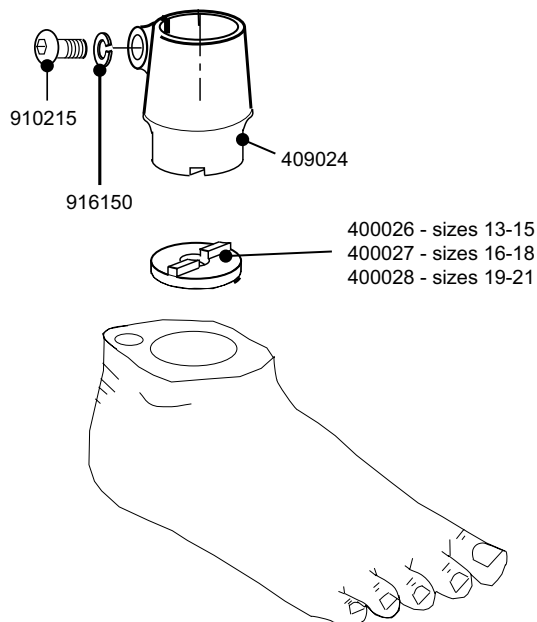


Instructions for use 938111

Build part numbers are for assembly guidance only and may not be for sale separately.

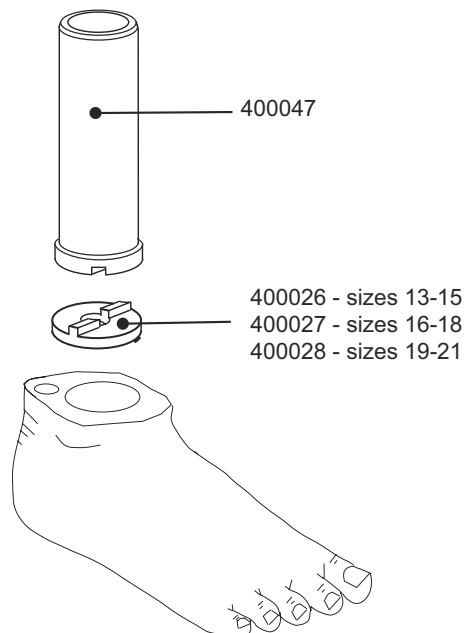
Junior Schematics

Ankle adapter kit
 (size 13-15) 409021
 (size 16-18) 409022
 (size 19-21) 409023



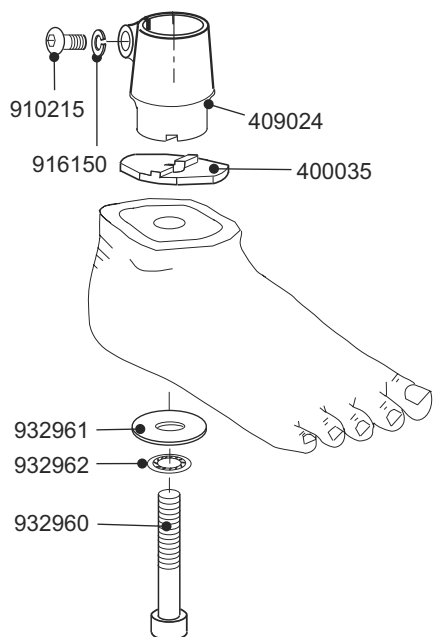
Instructions for use 938106

Long stump adapter
 (size 13-15) 409043
 (size 16-18) 409044
 (size 19-21) 409045



Instructions for use 938108

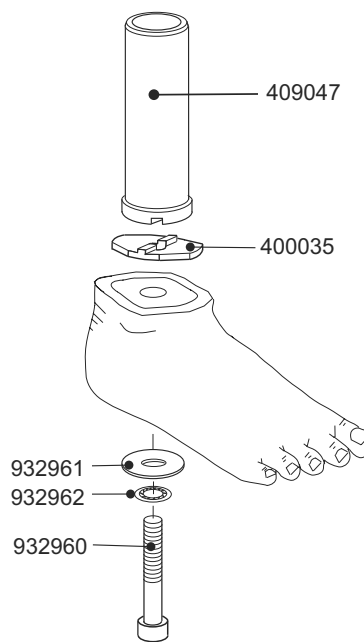
SACH adapter 409026



Instructions for use 938105

Note: it is important the correct foot plate is installed to provide sufficient bearing area on the Child's Play keel.

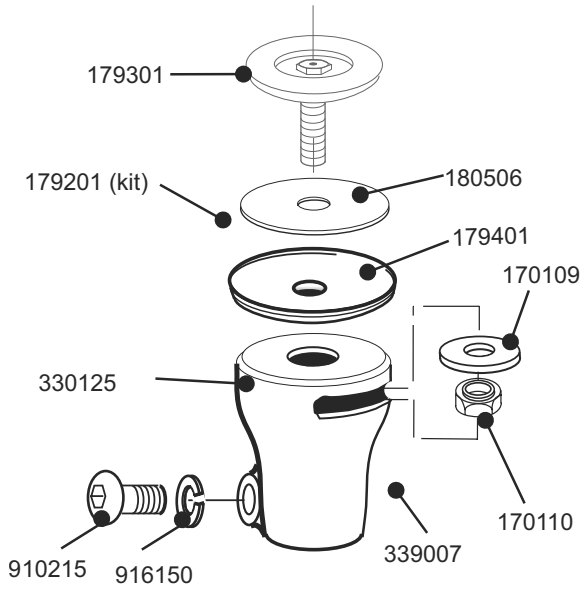
Long stump adapter 409046



Instructions for use 938107

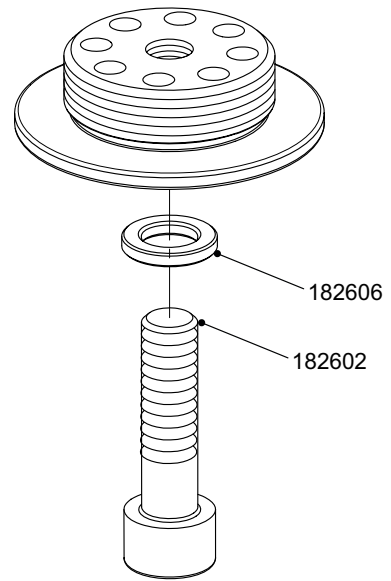


Upper housing 189426



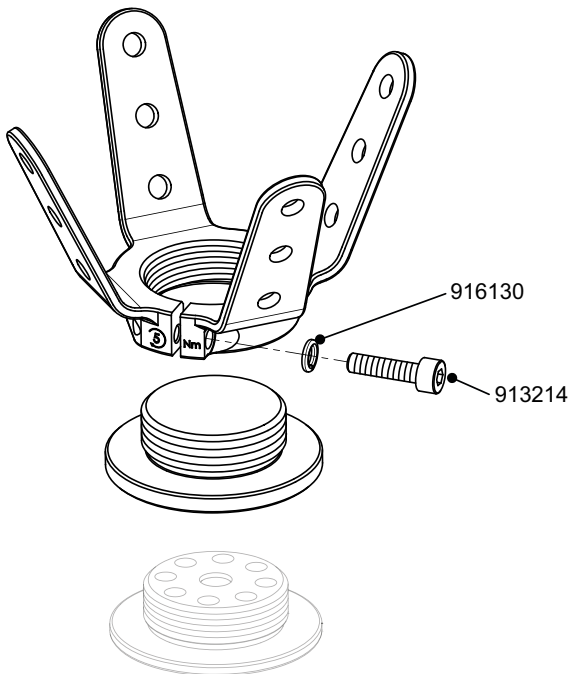
Instructions for use 938104

M30 Child's Adapter 189726



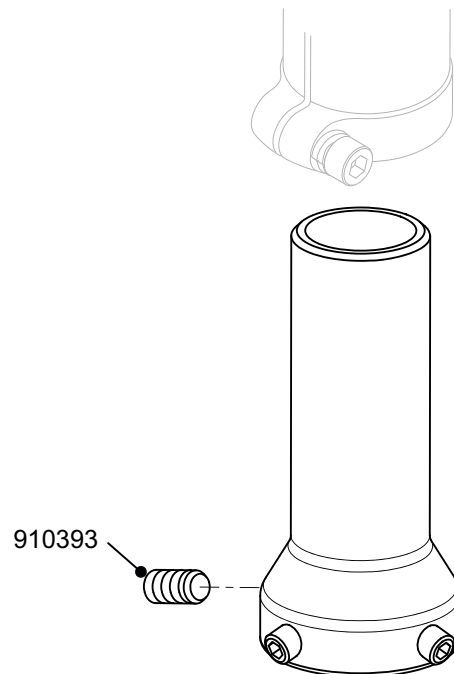
Instructions for use 938396

M30 4 Prong Laminate Adapter 189626



Instructions for use 938395

Female Mini Pyramid Pylon 25mm 409099



Instructions for use 938394



A white line drawing on a grey background showing the base and control arm of a microscope. The base is a large, circular, fluted structure. A vertical column rises from the center, with a control arm extending from it. The control arm has a circular knob and a smaller circular feature. The top of the column is connected to the microscope's body, which has various lenses and a circular component.

Controls

Controls



Endolite Hydraulic Cylinders

New and Service Exchange Units

New	S/Ex*	Description	Trunnion Ø
932281	932283	Swing and Stance Cylinder for KX06	8mm
932282	932284	Swing Cylinder for KX06	8mm
932285	932286	Swing and Stance cylinder for Mercury Knee	10mm
932287	932288	Swing Cylinder for Mercury Knee	10mm



Endolite Microprocessor Control Cylinders

New and Service Exchange Units

New	S/Ex*	Description	Trunnion Ø
239629	259902	Swing Cylinder for SmartIP	6mm



*Supplied for in-warranty cylinders only. Cylinder serial number will be required.



Kit: 019758

Control fitting kits for KX06 and Mercury modules (image not shown)

Fitting kit for KX06 **239254**

Description	Number
Pin Chassis Posterior	235420
Sleeve Chassis Posterior 2 off	235412
Distal Pivot 2 off	235417
Thrust Spacer 2 off	235419
M6x8 Screw 2 off	913205
M6 x 35 Cap Screw	910051

Fitting Kit for Mercury Knee **239031**

Description	Number
Pivot Pin Upper	234705
Thrust Washer x2off	234716
Lower Pivot x2off	234806
Thrust Washer (0.6) x2off	235206
Thrust Washer (0.5) x2off	235207

Control fitting kits for ESK+ and ESK/MKL shin modules

Fitting Kit for Smart IP **019668**

Description	Number
Nut	230078
Bolt	230079
Thrust washer, 2 off	230080
Lower pivot, 2 off	230088
Thrust washer, 2 off	230090

Fitting Kit for PSPC **019758**

Description	Number
Nut	230078
Bolt	230079
Thrust washer, 2 off	230080
Lower pivot, 2 off	230088
Thrust washer, 2 off	230090
Assistor spring	230313
Trunnion	239009





Adapters

Number	Description	Part Number	Build height	Material	Weight	Max. User wt. /Activity
Level						
1	TT lamination anchor	P189410S	17mm (35mm)	St. Steel	85g	125kg / 1-3 100kg / 1-4
2	TT lamination anchor	P189410	17mm (35mm)	Aluminium	75g	125kg / 1-3 100kg / 1-4
3	Pyramid 4-bolt	P189310	8mm (15mm)	St. Steel	68g	150kg / 1-3 145kg / 1-4
4	KX06 adapter kit	169307	3mm (13mm)	Aluminium/ St. Steel	65g	150kg / 1-3 145kg / 1-4
5	Pyramid male - sliding/rotating Pyramid male - sliding	EP-MSR EP-MS	14mm (27mm) 14mm (27mm)	Titanium Titanium	140g 140g	150kg / 1-3 145kg / 1-4
6	Pyramid female - sliding /rotating Pyramid female - sliding	EP-FSR EP-FS	33mm (33mm) 28mm (28mm)	Titanium Titanium	150g 150g	150kg / 1-3 145kg / 1-4
7	Pyramid male 4-bolt - sliding & rotating	169407	15mm	Aluminium/ Titanium	125g	150kg / 1-3 145kg / 1-4
8	Pyramid male - sliding & rotating Non-rotating male pyramid adapter	239017 239089	7mm (22mm) 7mm (22mm)	Alum/Titanium Alum/Titanium	50g 50g	166kg / 4 166kg / 4
9	Pyramid male - Endolite dome	P189610	23mm	Aluminium/ St. Steel	155g	125kg / 1-3 100kg / 1-4
10	Pyramid female - Endolite dome	P409049 (large) P409050 (small)	45mm 45mm	Aluminium/ St. Steel	209g	150kg / 1-3 145kg / 1-4
11	Pyramid male - Endolite knee chassis	189127 189227 189327	5mm (25mm) 10mm 15mm	Aluminium/ St. Steel Alu/ St. Steel Alu/ St. Steel	103g 103g 103g	125kg / 1-3 100kg / 1-4
12	Pyramid female long - Endolite knee chassis	409042	25mm (40mm)	Aluminium/ Titanium	130g	125kg / 1-3 100kg / 1-4
13	Pyramid female short - Endolite knee chassis	409041	10mm (25mm)	Aluminium/ Titanium	110g	125kg / 1-3 100kg / 1-4
14	Full alignment kit TT - Endolite dome	189906 (standard) 189907 189607	20mm 30mm 40mm	Aluminium/ Titanium Alu/Titanium Alu/Titanium	122g 79g 108g	125kg / 1-3 100kg / 1-4
15	Full alignment kit TF - Endolite dome	189806 (standard) 189805 189807 189808 189809	20mm 10mm 30mm 15mm 25mm	Aluminium Aluminium Aluminium Aluminium	183g 61g 93g 81g 83g	125kg / 1-3 100kg / 1-4
16	Full alignment kit TF - KX06	169207	20mm	Aluminium	185g	150kg / 1-3 145kg / 1-4
17	Full alignment kit TF - Short knee	189125	20mm	Aluminium	140g	125kg / 1-3 100kg / 1-4
18	Full alignment kit TF - 4-bolt ESK+ and Mercury	239032	56mm - 4-bolt/mercury 48mm - mercury	Aluminium	170g	125kg / 1-3 100kg / 1-4
19	Turntable kit TF	189123	40mm	Aluminium	330g	125kg / 1-3 100kg / 1-4
20	4-bolt adapter kit TF - Endolite chassis to 4-bolt	189110 189910 189810	15mm (35mm) 10mm Lengthening 10mm Shortening	Aluminium/ Titanium Alu/Titanium Alu/Titanium	97g	125kg / 1-3 100kg / 1-4
21	Wood adapter TF - full alignment	189113 189815 189811	40mm (96mm) 10mm Lengthening 10mm Shortening	Alu/ Wood Aluminium Aluminium	612g	125kg / 1-3 100kg / 1-4
22	M36 Adapter	239092	14mm	Alum/St. Steel		125kg / 1-3 100kg / 1-4
23	Pyramid female - sliding & rotating	189128	28mm	Alum/Titanium	114g	166kg / 4

Adapters

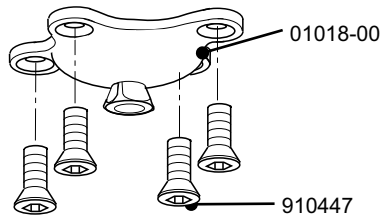


Description	Part Number	Build height	Material	Weight	Max. User wt. /Activity Level
Cup & Strut kit TF- full alignment					
10mm,100mm dia.cup	189117	25mm	Aluminium	466g	} 125kg / 1-3 100kg / 1-4
10mm Lengthening	189707	35mm	Aluminium	83g	
10mm Shortening	189906	15mm	Aluminium	121g	
10mm,115mm dia.cup	189118	25mm	Aluminium	528g	
10mm,130mm dia.cup	189119	25mm	Aluminium	556g	
Cup & Strut kit TF- Endolite dome					
100mm dia.cup	189217	20mm	Aluminium	354g	} 125kg / 1-3 100kg / 1-4
115mm dia.cup	189218	20mm	Aluminium	418g	
130mm dia.cup	189219	20mm	Aluminium	442g	
Thigh Release Mounting Kit	099028	N/A	N/A	N/A	

Adapters Schematics

3. Pyramid 4-bolt

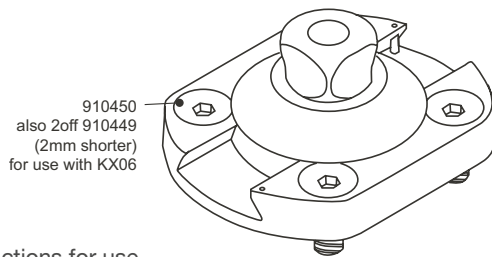
P189310



Instructions for use **938282**

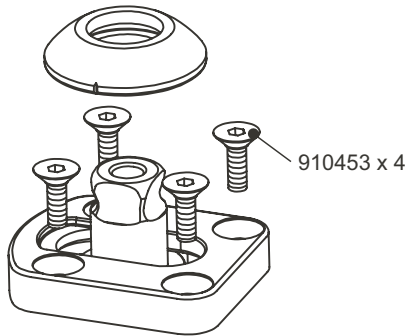
5. TF Pyramid Male Sliding/Rotating TF Pyramid Male Sliding

**EP-MSR
EP-MS**



Instructions for use
EP-MSR **938244**
EP-MS **938243**

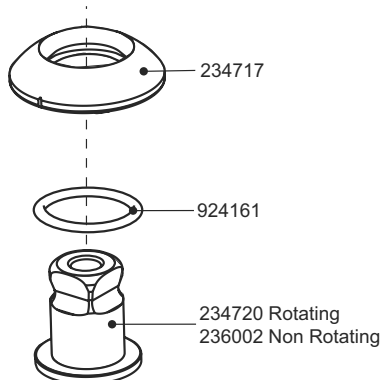
7. Pyramid male 4-bolt, sliding & rotating **169407**



Instructions for use **938310**

8. Pyramid Male Sliding Rotating Non Rotating

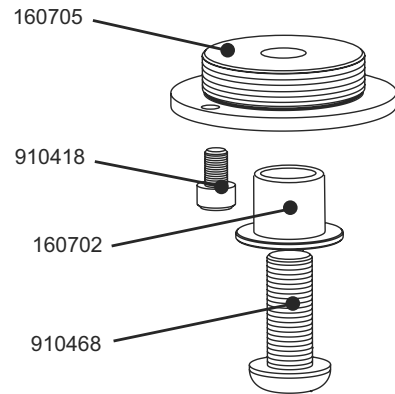
**239017
239089**



Instructions for use **938179**

4. KX06 M36 adapter kit

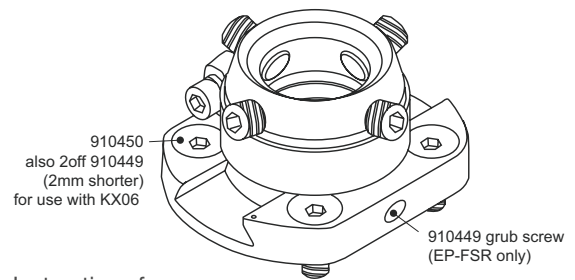
169307



Instructions for use **938281**

6. TF Pyramid Female Sliding/Rotating TF Pyramid Female Sliding

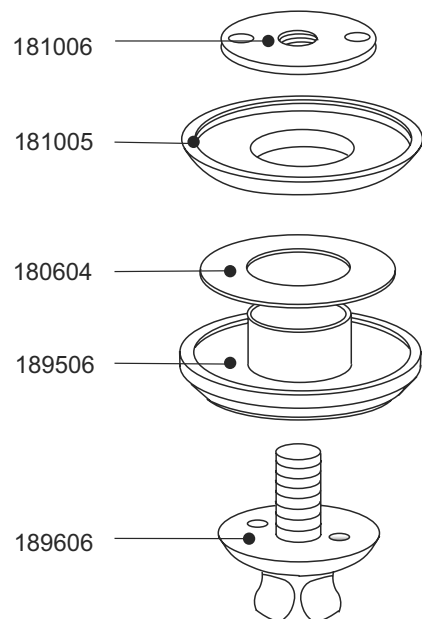
**EP-FSR
EP-FS**



Instructions for use
EP-FSR **938240**
EP-FS **938241**

9. TT Pyramid Alignment

P189610

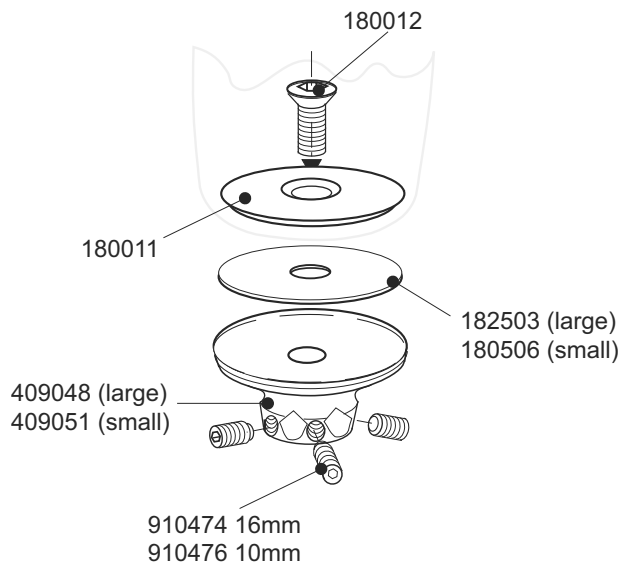


Instructions for use **938110**

Build part numbers are for assembly guidance only and may not be for sale separately.

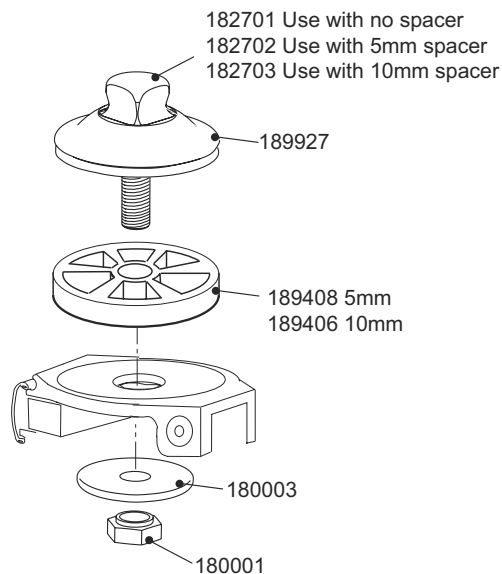
Adapters Schematics

10. Female pyramid adapter:
 Large P409049
 Small P409050



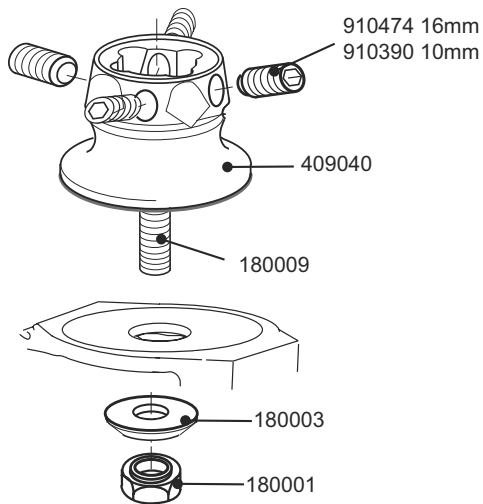
Instructions for use 938090

11. Full align. pyramid
 Standard 189127
 5mm spacer 189227
 10mm spacer 189327



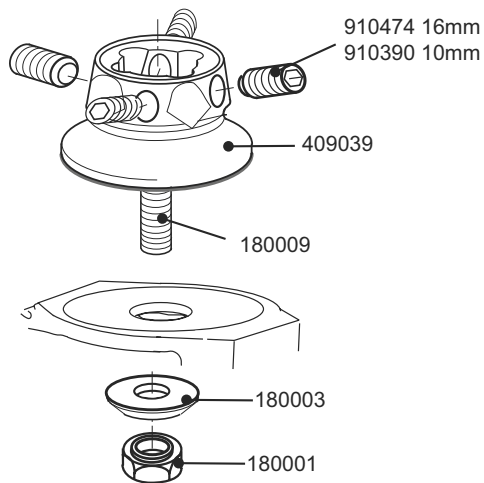
Instructions for use 938164

12. Pyramid shift adapter L: 409042



Instructions for use 938050

13. Pyramid shift adapter S 409041

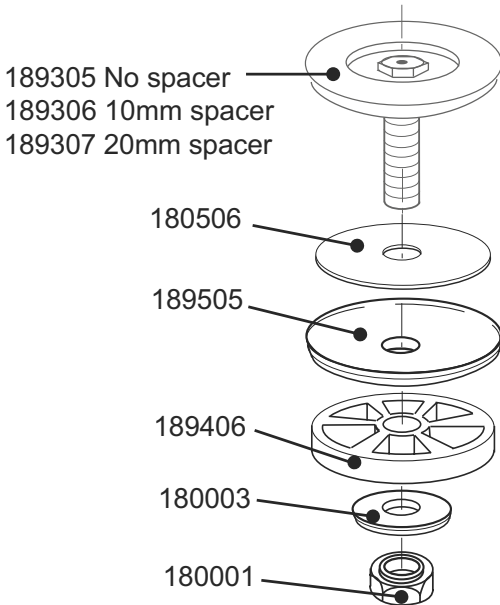


Instructions for use 938050

Adapters Schematics

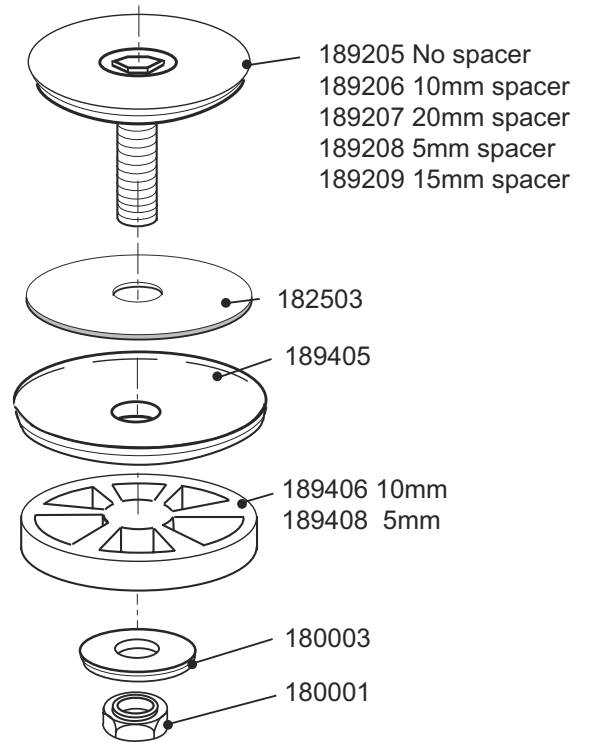
14. TT alignment kit

- Standard **189906**
- Lengthening 10mm **189907**
- Lengthening 20mm. **189607**

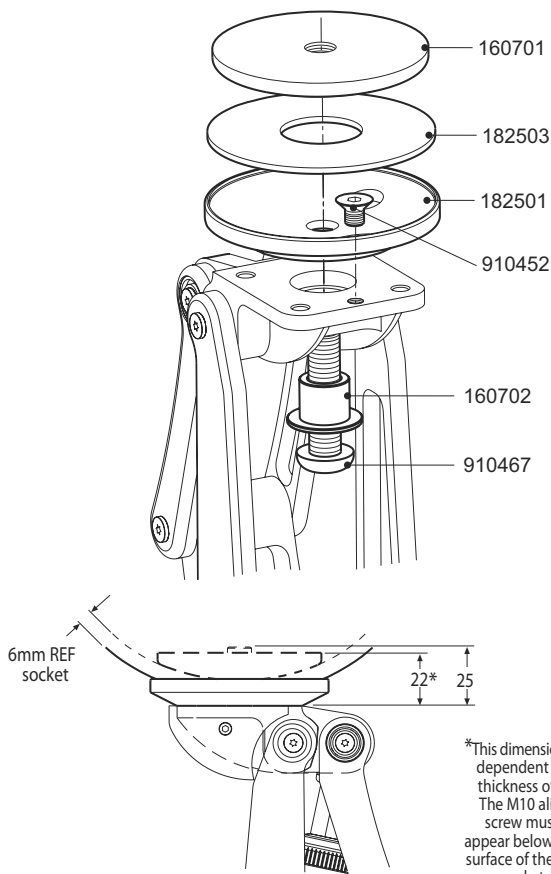


15. TF alignment kit

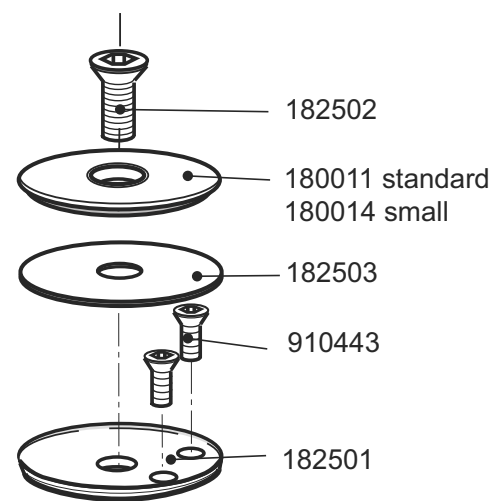
- standard **189806**
- shortening (10) **189805**
- lengthening (10) **189807**
- shortening (5) **189808**
- lengthening (5) **189809**



16. KX06 alignment kit **169207**



17. TF short knee adapter **189125**



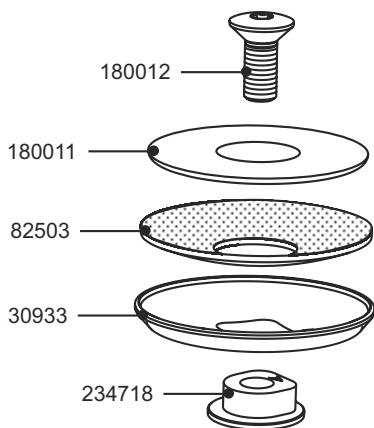
Instructions for use **938272**

Instructions for use **938050**

Build part numbers are for assembly guidance only and may not be for sale separately.

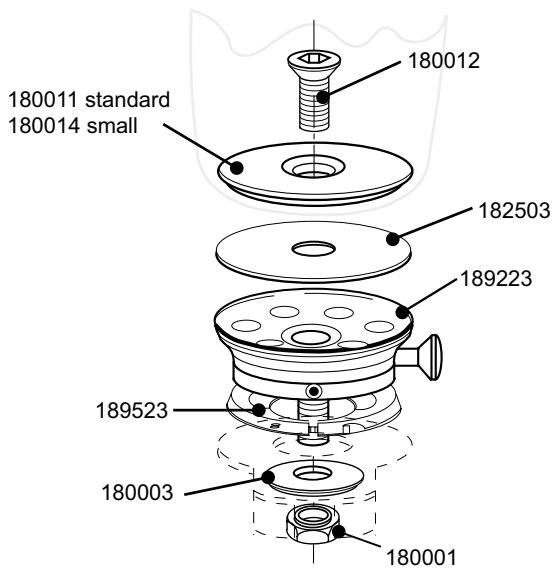
Adapters Schematics

18. Alignment kit 239032



Instructions for use 938265

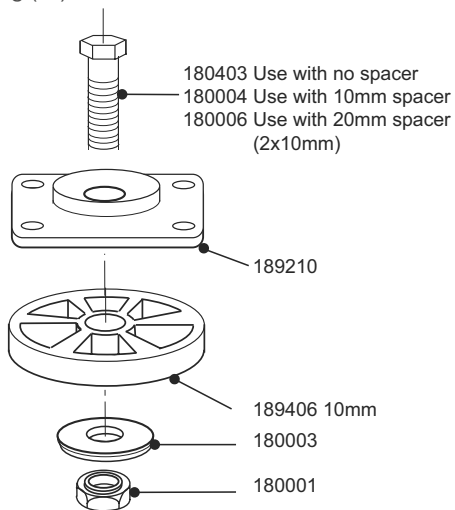
19. TF turntable kit 189123



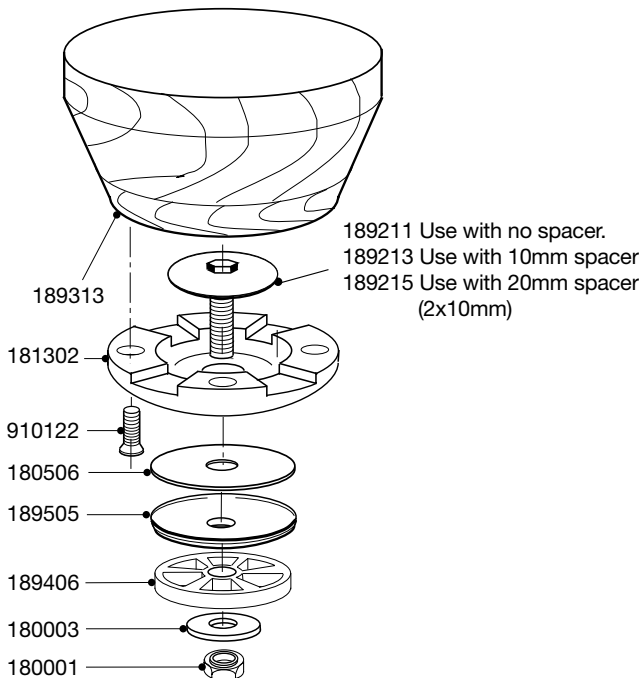
Instructions for use 934356

20. TF 4-bolt adapter kit

- Standard 189110
- Lengthening (10) 189910
- Shortening (10) 189810



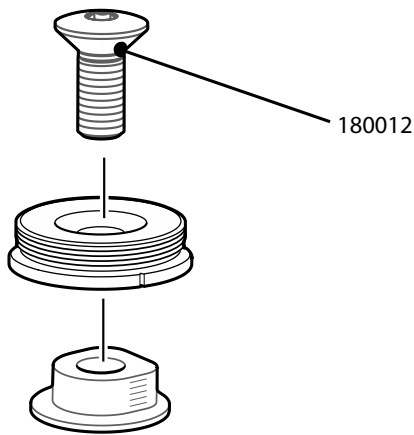
21. Wood adapter kit 189811, 189113, 189815 (see diagram)



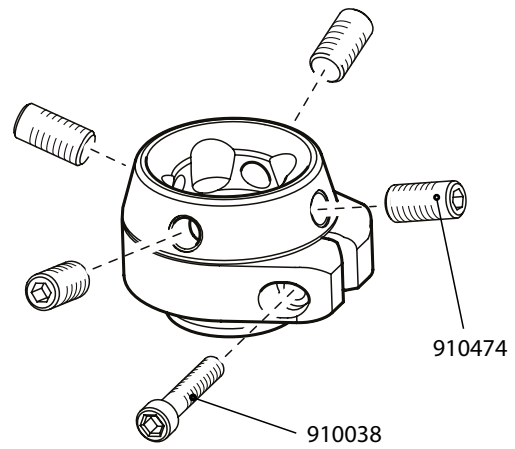
Instructions for use 934363

Adapters Schematics

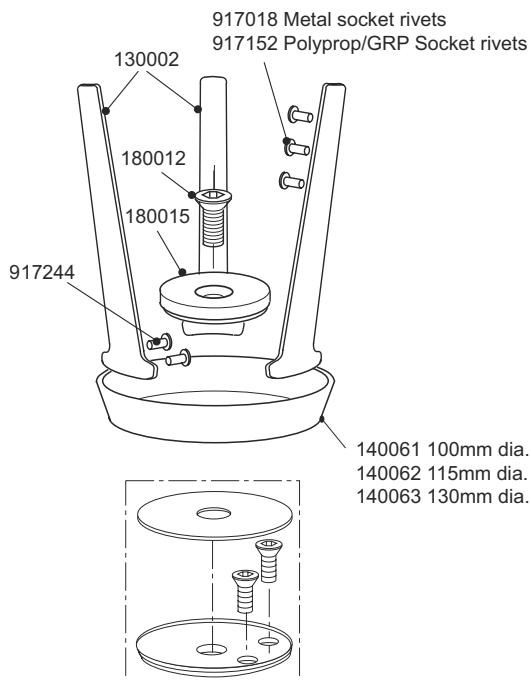
22. M36 Adapter 239092



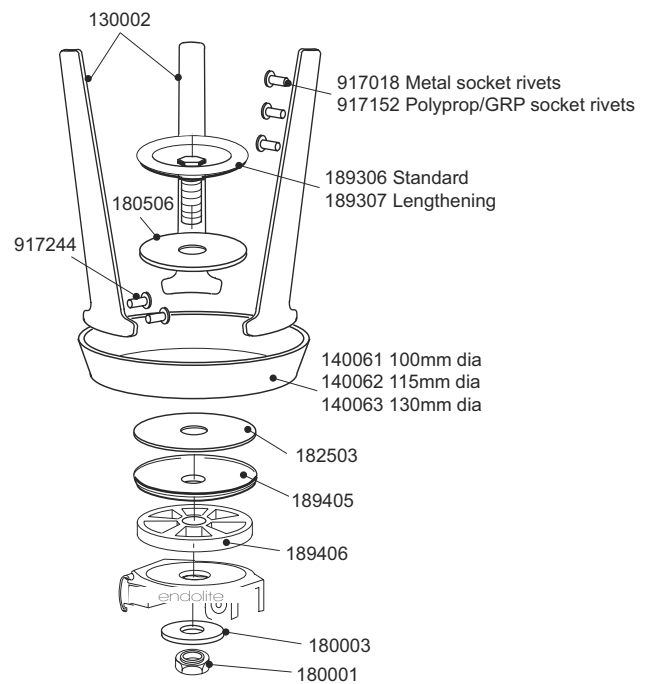
23. Pyramid female - sliding & rotating 189128



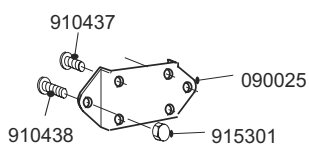
Cup & Strut kit TF - Endolite dome
 (metal cup 100mm dia.) 189217
 (metal cup 115mm dia.) 189218
 (metal cup 113mm dia.) 189219



Cup & Strut kit TF - full alignment
 110mm 189117
 10mm lengthening 189707
 10mm shortening 189906
 115mm 189118
 130mm 189119

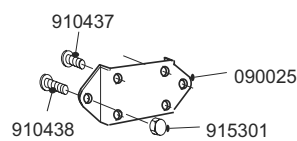


Thigh release mounting kit 099028



Instructions for use 934361

Thigh release mounting kit 099028



Instructions for use 934327

Adapters Schematics

Number	Description	Part Number	Build height	Material	Weight	Max. User wt. /Activity Level
1	Tube clamp adapter pyramid female 30mm	AK30M1	15mm (51mm)	Titanium	92g	150kg / 1-3 145kg / 1-4
2	Blade top housing TT male - sliding & rotating	539601	7mm	Aluminium/ Titanium	165g	166kg / 1-3 130kg / 1-4
3	Blade top housing TT female - sliding & rotating	539602	28mm	Aluminium/ Titanium	240g	166kg / 1-3 130kg / 1-4
4	Tube clamp double female/male adapter - 35mm to 30mm	339301	34mm (85mm)	Aluminium	102g	125kg / 1-3 100kg / 1-4
5	Pylon adapter pyramid female - 200mm long - 400mm long - 500mm long	739052	15mm (51mm + tube)	Aluminium	213g	125kg / 1-3 100kg / 1-4
		739053	15mm (51mm + tube)	Aluminium	362g	125kg / 1-3 100kg / 1-4
		739054	15mm (51mm + tube)	Aluminium	420g	125kg / 1-3 100kg / 1-4
6	High strength tube adapter single 30mm High strength tube adapter double 30mm	239030	15mm (51mm + tube)	Titanium/ Carbon Fibre	272g	150kg / 1-3 145kg / 1-4
		239029	40mm + tube (250 max)	Titanium/ Carbon Fibre	364g	150kg / 1-3 145kg / 1-4
7	Pylon adapter pyramid female 30mm- low profile	409053	60mm min, 90mm max	Aluminium	97g	125kg / 1-3 100kg / 1-4
8	Pylon 30mm	330120	250mm max	Carbon Fibre	100g	100kg / 1-3 100kg / 1-4
	High strength pylon 30mm	330146	250mm max	Carbon Fibre	180g	150kg / 1-3 145kg / 1-4
	Pylon 30mm/500mm	903220/500	500mm max	Aluminium	360g	125kg / 1-3 100kg / 1-4
	Pylon 30mm/400mm	903220/400	400mm max	Aluminium	285g	125kg / 1-3 100kg / 1-4
	Pylon 30mm/200mm	903220/200	200mm max	Aluminium	150g	125kg / 1-3 100kg / 1-4
9	Pylon adapter 30mm - full alignment	019231	95mm (280mm)	Aluminium/ Carbon Fibre	348g	100kg / 1-3
10	Pylon adapter full alignment female 30mm- low profile	339240	43mm (95mm)	Aluminium	185g	125kg / 1-3 100kg / 1-4
11	Top housing TT 30mm - full alignment	339008	25mm (59mm)	Aluminium	142g	100kg / 1-3
12	Ankle disarticulation kit - Endolite dome*	399101	20mm	Aluminium/ St. Steel	141g	125kg / 1-3 100kg / 1-4
13	Multiflex Ankle/Seattle Lightfoot connector	409012	4.5mm	St. Steel	102g	125kg / 1-3 100kg / 1-4
14	Multiflex TT Kit	TTKIT3060L22 - TTKIT3080R30		(not shown)		

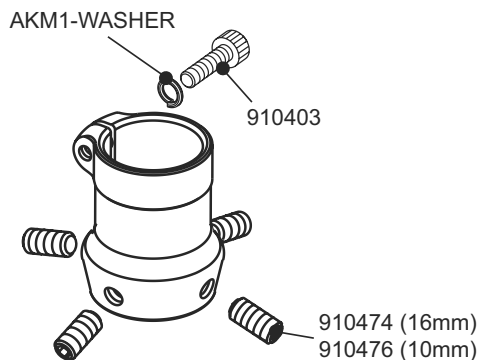
*for Seattle Lightfoot.

Tubes and Adapters



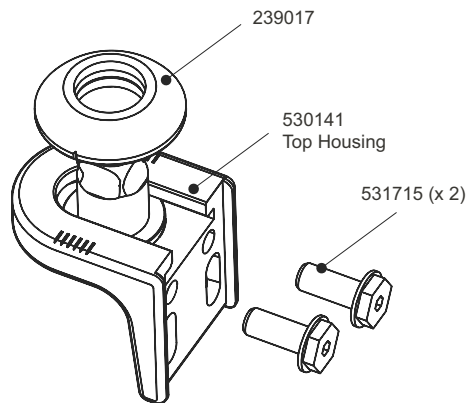
Adapters Schematics

Pyramid clamp 30mm AK30M1



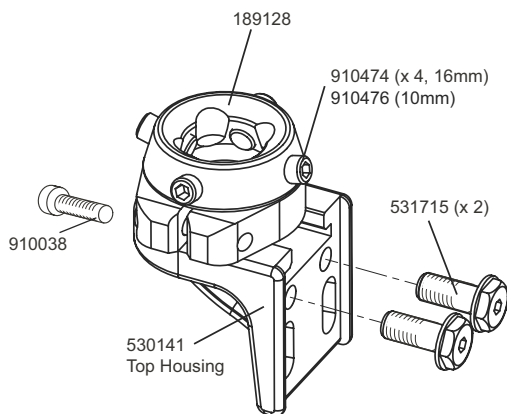
Instructions for use 938252

Blade and Javelin top 539601
Housing TT male



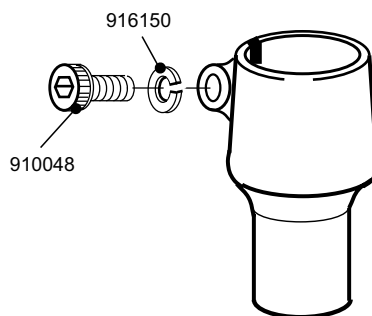
Instructions for use 938307 & 938179

Blade and Javelin top 539602
Housing TT female



Instructions for use 938307 & 938313

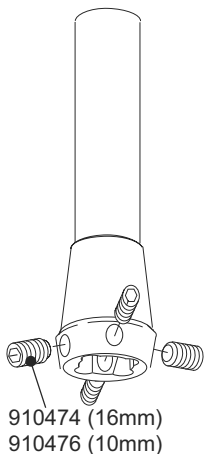
Tube clamp double female/male adapter - 339301
35mm to 30mm



Instructions for use 938073

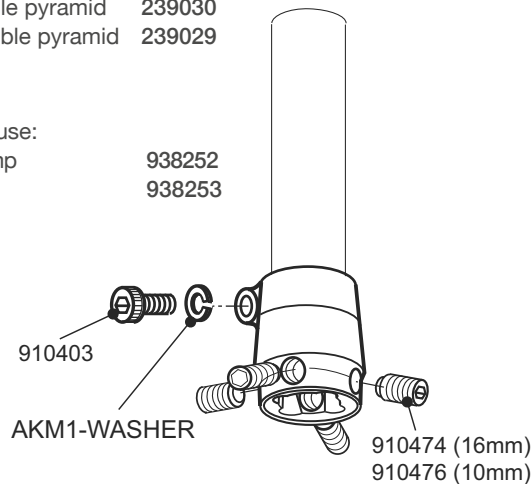
Bonded Pyramid Adapter - 30mm tube
200mm 739052
400mm 739053
500mm 739054

Instructions for use 938228



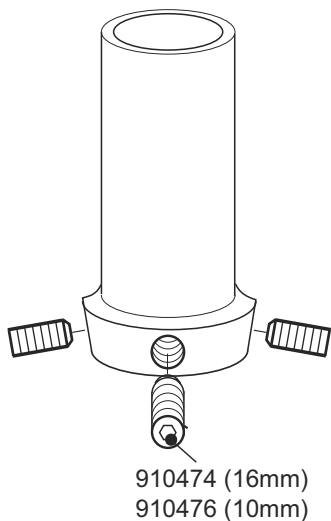
High Strength Shin Kit
30mm tube single pyramid 239030
30mm tube double pyramid 239029

Instructions for use:
30mm, tube clamp 938252
tube 938253



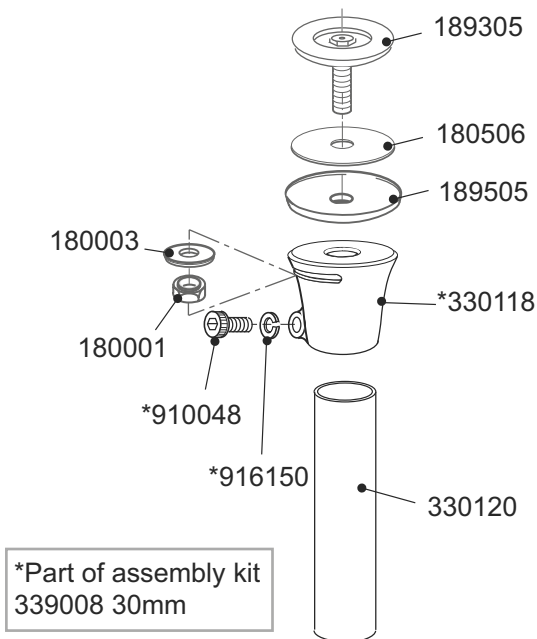
Adapters Schematics

Pyramid pylon 30mm 409053



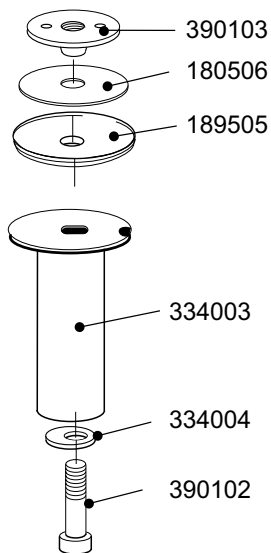
Instructions for use 938227

TT shin system - 30mm 019231



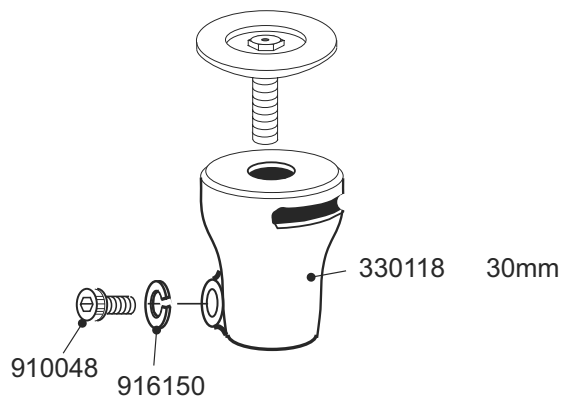
Instructions for use 934393

Long stump adapter 30mm dia 339240



Instructions for use 938069

Upper housing for TT - 30mm 339008

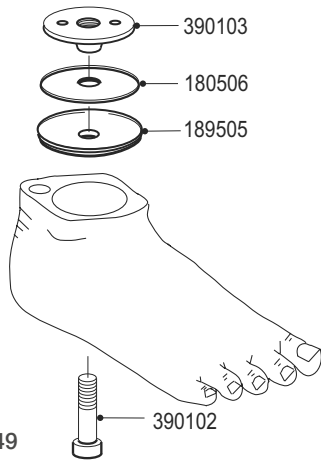


Instructions for use 938054

Multiflex Ankle Schematics

Ankle disartic. kit 399101

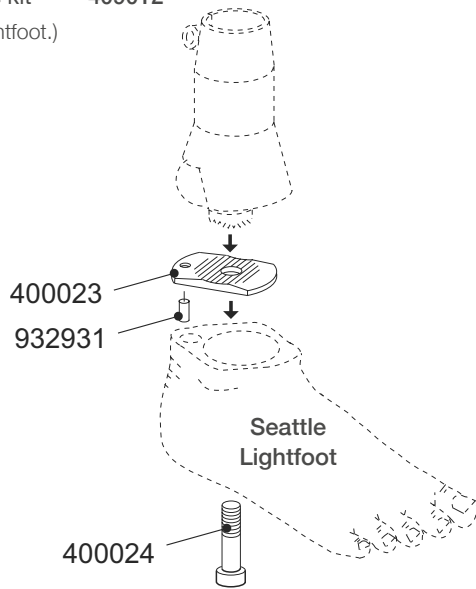
(For Seattle Lightfoot.)



Instructions for use 934349

Multiflex ankle kit 409012

(For Seattle Lightfoot.)



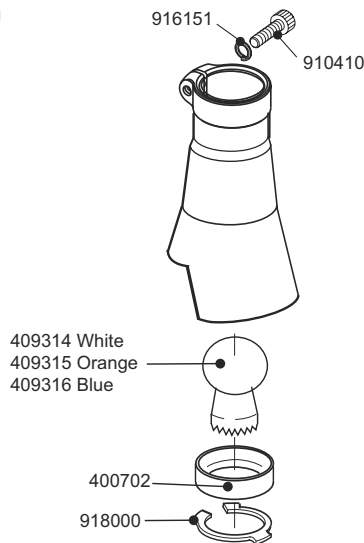
Instructions for use 934339

Multiflex ankle 30mm

60° (w) 379342

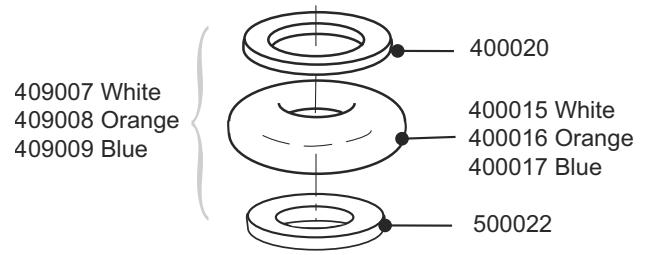
70° (o) 379343

80° (b) 379344



Instructions for use 938224

Snubber



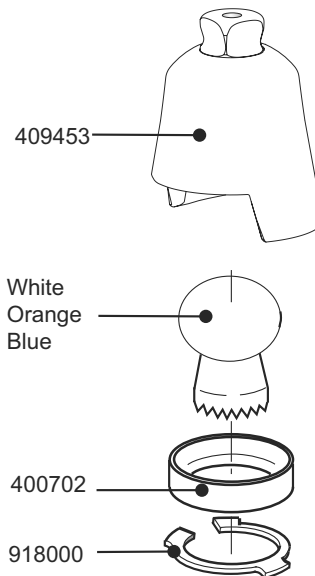
Instructions for use 934331

Multiflex ankle (pyramid)

60° (w) 409353

70° (o) 409354

80° (b) 409355



Instructions for use 938225

Build part numbers are for assembly guidance only and may not be for sale separately.

Multi-axial ankle function for secure foot placement during gait.

Multiflex Ankle

Ankle Part Number and Description	Snubber Part Number and Description	Max. User Weight/ Activity Level Description
-----------------------------------	-------------------------------------	--

<p>379342 Multiflex ankle W 30mm 379343 Multiflex ankle O 30mm 379344 Multiflex ankle B 30mm</p>	<p>409007 - snubber W 60° 409008 - snubber O 70° 409009 - snubber B 80°</p>	<p>125kg / 1-3</p>
--	---	--------------------

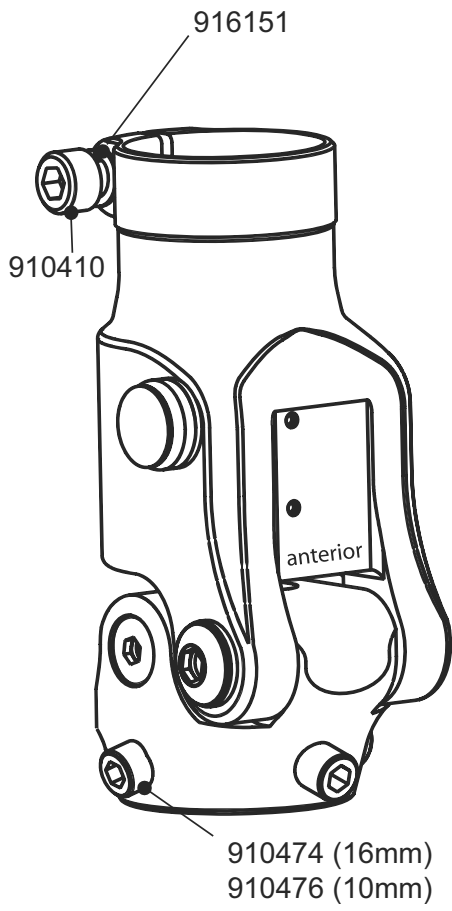


<p>409353 Pyramid Multiflex W 409354 Pyramid Multiflex O 409355 Pyramid Multiflex B</p>	<p>409007 - snubber W 60° 409008 - snubber O 70° 409009 - snubber B 80°</p>	<p>125kg / 1-3</p>
---	---	--------------------



Build height	Material	Weight	Ankle and snubber selection															
<p>60mm</p> 	<p>Aluminium</p>	<p>201g</p>	<table border="0"> <tr> <td></td> <td></td> <td></td> <td></td> <td>Ankle</td> </tr> <tr> <td></td> <td></td> <td></td> <td></td> <td>Snubber</td> </tr> <tr> <td>60kg</td> <td>80kg</td> <td>100kg</td> <td>125kg</td> <td></td> </tr> </table> <p>Snubber for standard ankle:</p> 					Ankle					Snubber	60kg	80kg	100kg	125kg	
				Ankle														
				Snubber														
60kg	80kg	100kg	125kg															
<p>58mm</p> 	<p>Aluminium & Stainless Steel</p>	<p>199g</p>																

Brio Schematics



Instructions for use 938261

Unique push button device that allows the user to adjust heel height for shoe changes or bare foot walking. 25mm range of adjustment.

Brio

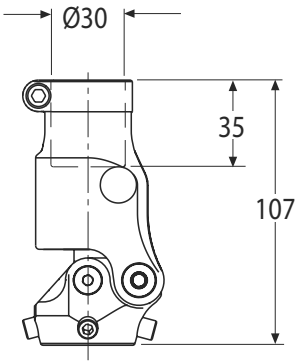
Specifications

Max. User Weight/Activity Level:	100kg/ 1-4 125kg/ 1-3
Component Weight:	395g
Build Height:	107mm
System Diameter:	30mm

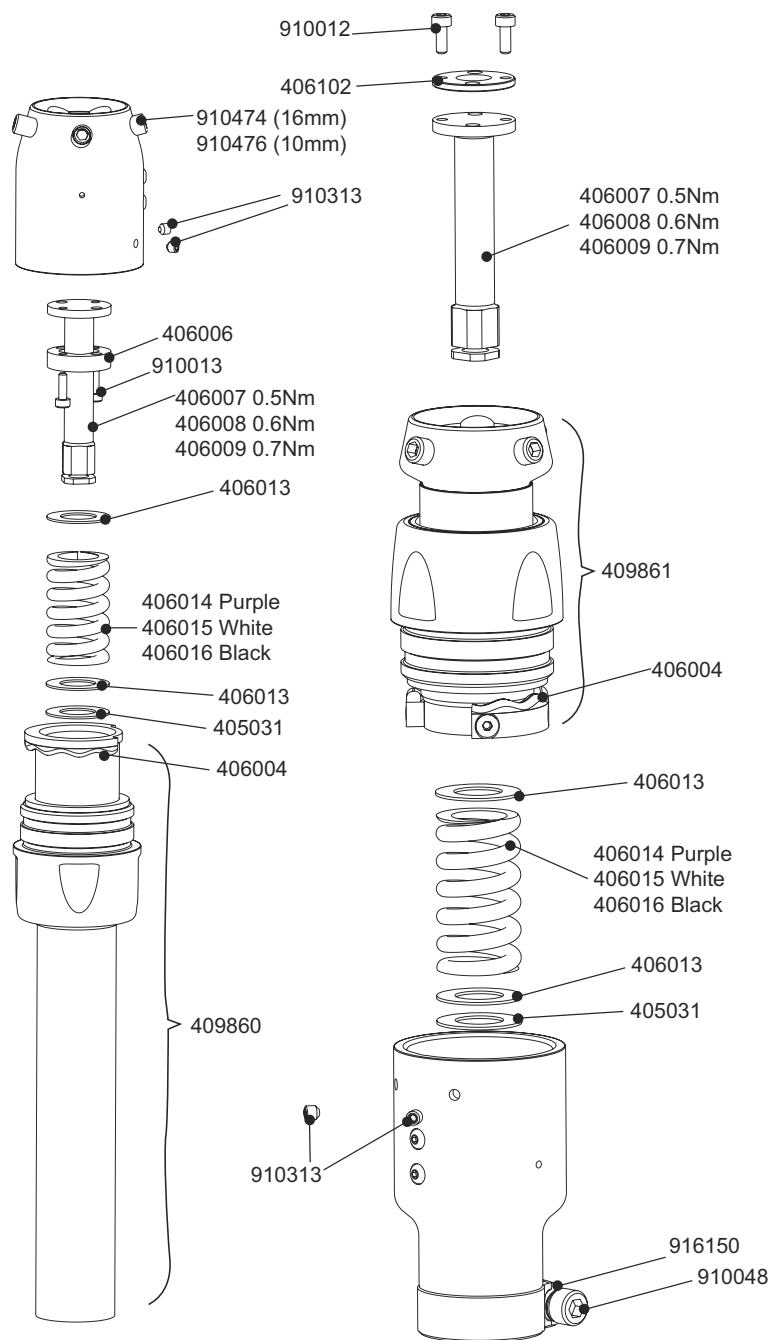
Part Number

BRIO30

Build Height



TTPro Schematics



Instructions for use
 Pyramid
 Clamp

938248
 938257

Ancillary component designed to cushion shock and shear forces caused by vertical and rotational movement. Ideal for sports and activities such as golf, tennis and hiking.

TTPro

Specifications

Max. User Weight/Impact Level:	100kg/ 1-4 125kg/ 1-3
Component Weight:	From 317g
Build Height:	135mm - 260mm (pyr) 145mm (clamp)
System diameter:	30mm



Pyramid



Clamp



Suitable for outdoor use

Order Example

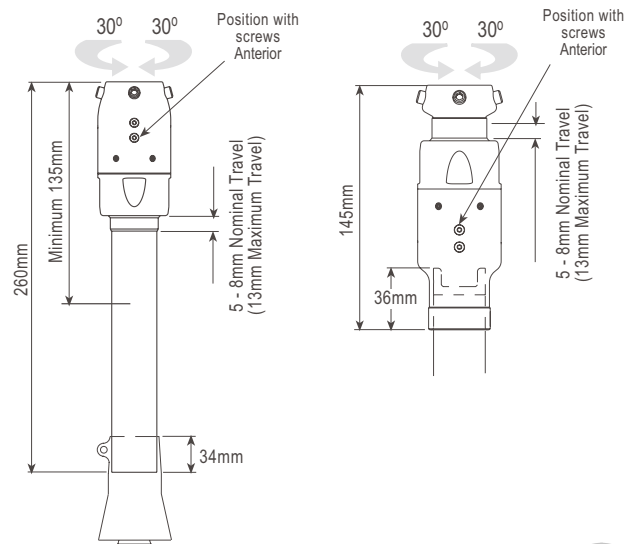
Pyramid			
Product Code	Rod	Spring Set	
TTPRO	PYR	3	B

eg. TTPRO-PYR3B

Clamp			
Product Code	Rod	Spring Set	
TTPRO	30	3	B

eg. TTPRO-30-3B

Build Height



Impact Level	User Weight								Rod and Spring Set
	44-52 100-115	53-59 116-130	60-68 131-150	69-77 151-170	78-88 171-195	89-100 196-220	101-116 221-255	117-125 256-275	
Low	1P	2P	2P	2W	2W	3B	3B	3B	
Moderate	2P	2W	3W	3W	3B	3B	3B	3B	
High	3W	3W	3B	3B	3B	3B	-	-	

41
32



Liners



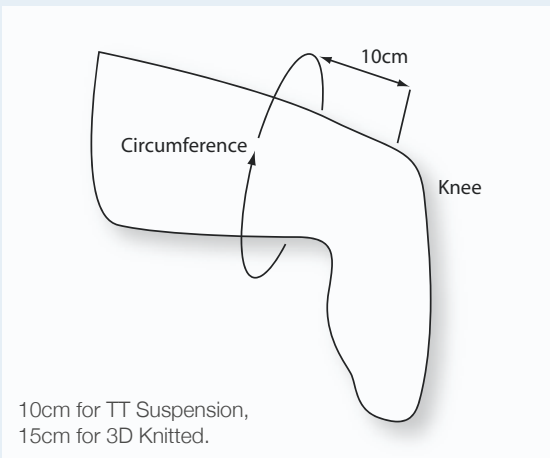
Silcare Breathe Liner



Guide to Measurements

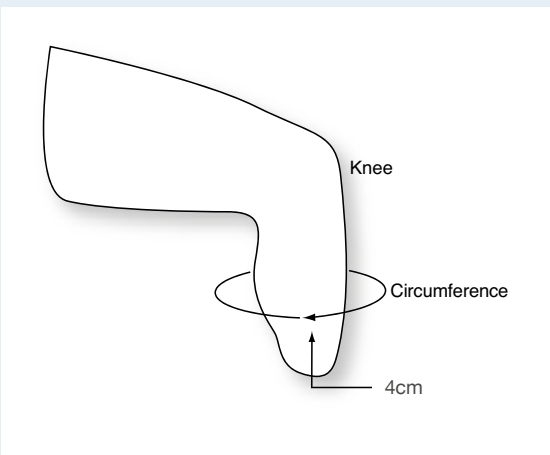
Suspension Sleeves

How to size, measurements taken 10cm or 15cm above patella.



Liners

How to size, measurements taken 4cm from the distal end, depending on liner brand as shown.



Features

- Trans-tibial
- Laser perforations distributed uniformly along the length and distal end to permit escape of air and moisture
- Seamless bi-directional stretch to improve comfort and contouring. Shear forces on the knee are reduced as it flexes
- Tendresse™ finish reduces shear stress on the skin
- Use with a one-way valve helps to generate a better vacuum and more secure fit
- 6 month warranty

Part Numbers

SBTTCPXXL Silcare Breathe

XX indicates size, see sizing chart and illustrations for details

Sizing Chart

Measurements taken 4cm from the distal end

Measured Size (cm)	Part Number	Description
22cm	SBTTCP22L	Silcare Breathe 22
23.5cm	SBTTCP23L	Silcare Breathe 23.5*
25cm	SBTTCP25L	Silcare Breathe 25
26.5cm	SBTTCP26L	Silcare Breathe 26.5*
28cm	SBTTCP28L	Silcare Breathe 28
30cm	SBTTCP30L	Silcare Breathe 30
32cm	SBTTCP32L	Silcare Breathe 32
34cm	SBTTCP34L	Silcare Breathe 34
36cm	SBTTCP36L	Silcare Breathe 36
40cm	SBTTCP40L	Silcare Breathe 40

*note- 23.5 = SBTTCP23L , 26.5 = SBTTCP26L

Valves and accessories recommended for use in conjunction with the EchelonVAC can be found on page 124.

Endolite Comfort Liner - Cushion



Features

- Trans-tibial
- Seamless bi-directional stretch to improve comfort and contouring
- Tendresse™ finish reduces shear stress on the skin
- 6 month warranty

Part Numbers

CTTCPXXL Comfort - Cushion

XX indicates size, see sizing chart and illustrations for details

Sizing Chart

Measurements taken 4cm from the distal end

Measured Size (cm)	Part Number	Description
22cm	CTTCP22L	COMFORT - CUSHION 22
23.5cm	CTTCP23L	COMFORT - CUSHION 23.5
25cm	CTTCP25L	COMFORT - CUSHION 25
26.5cm	CTTCP26L	COMFORT - CUSHION 26.5
28cm	CTTCP28L	COMFORT - CUSHION 28
30cm	CTTCP30L	COMFORT - CUSHION 30
32cm	CTTCP32L	COMFORT - CUSHION 32
34cm	CTTCP34L	COMFORT - CUSHION 34
36cm	CTTCP36L	COMFORT - CUSHION 36
40cm	CTTCP40L	COMFORT - CUSHION 40

*note- 23.5 = CTTCP23L , 26.5 = CTTCP26L

Endolite Comfort Liner - Locking



Features

- Trans-tibial
- Pin lock version suitable for a variety of lock and pin preferences
- Stabilising external matrix with integrated stretch zones
- Tendresse™ finish reduces shear stress on the skin
- 6 month warranty

Part Numbers

CTTLPXXL Comfort - Locking

XX indicates size, see sizing chart and illustrations for details

Sizing Chart

Measurements taken 4cm from the distal end

Measured Size (cm)	Part Number	Description
22cm	CTTLP22L	COMFORT - TT LOCKING 22
23.5cm	CTTLP23L	COMFORT - TT LOCKING 23.5
25cm	CTTLP25L	COMFORT - TT LOCKING 25
26.5cm	CTTLP26L	COMFORT - TT LOCKING 26.5
28cm	CTTLP28L	COMFORT - TT LOCKING 28
30cm	CTTLP30L	COMFORT - TT LOCKING 30
32cm	CTTLP32L	COMFORT - TT LOCKING 32
34cm	CTTLP34L	COMFORT - TT LOCKING 34
36cm	CTTLP36L	COMFORT - TT LOCKING 36
40cm	CTTLP40L	COMFORT - TT LOCKING 40

*note- 23.5 = CTTLP23L , 26.5 = CTTLP26L

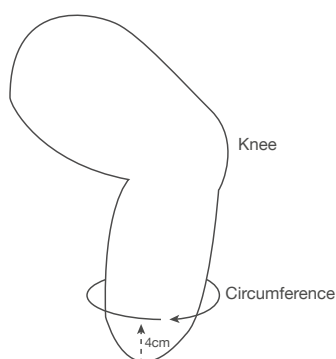
Parasil Liner



Silicone liner with a stabilising matrix and distal lock.

Part Numbers

Description	Circumference (cm)	
Parasil Locking Liner	18	3020L-18
Parasil Locking Liner	20	3020L-20
Parasil Locking Liner	22	3020L-22
Parasil Locking Liner	23.5	3020L-23.5
Parasil Locking Liner	25	3020L-25
Parasil Locking Liner	26.5	3020L-26.5
Parasil Locking Liner	28	3020L-28
Parasil Locking Liner	30	3020L-30
Parasil Locking Liner	32	3020L-32
Parasil Locking Liner	34	3020L-34
Parasil Locking Liner	36	3020L-36
Parasil Cushion Liner	18	3020C-18
Parasil Cushion Liner	20	3020C-20
Parasil Cushion Liner	22	3020C-22
Parasil Cushion Liner	23.5	3020C-23.5
Parasil Cushion Liner	25	3020C-25
Parasil Cushion Liner	26.5	3020C-26.5
Parasil Cushion Liner	28	3020C-28
Parasil Cushion Liner	30	3020C-30
Parasil Cushion Liner	32	3020C-32
Parasil Cushion Liner	34	3020C-34
Parasil Cushion Liner	36	3020C-36



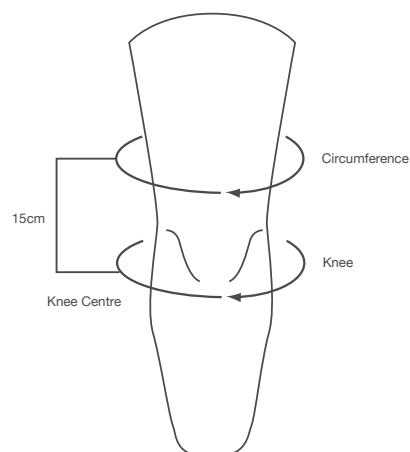
3D Knitted



3D trans-tibial knitted sleeve.

Part Numbers

Description	
3D Sleeve size 4	3DSST4
3D Sleeve size 5	3DSST5
3D Sleeve size 6	3DSST6



Size	4	5	6
Circumference			
15cm above KC	38	39.5	41
Circumference at KC	31	32.5	34

TT Suspension



Neoprene trans-tibial sleeve.

Part Numbers

Trans-tibial Suspension Sleeves		029071 029078
Size	Fitting Range	
1	240mm - 275mm	029071
2	265mm - 305mm	029072
3	290mm - 330mm	029073
4	320mm - 360mm	029074
5	350mm - 400mm	029075
6	385mm - 440mm	029076
7	425mm - 485mm	029077
8	465mm - 530mm	029078

See page 114 for sleeve and liner measuring guide.



Cosmesis

Ankle

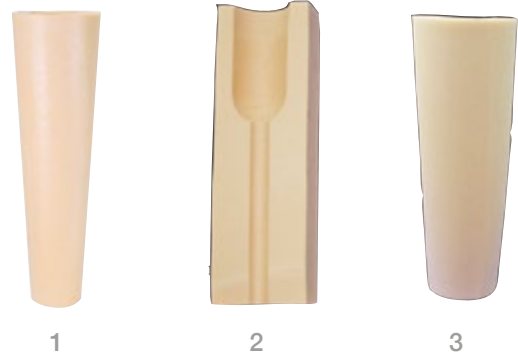


Ankle cosmesis for Multiflex low profile feet.

Part Numbers

	Left	Right	Size
Low Profile Feet			
Multiflex Foot/	561068	561069	22/23/24
Slim Multiflex	561070	561071	25/26
	561072	561073	27/28
	561074	561075	29/30
Super SACH Foot/ Senior Foot	P561081	P561081	All Sizes

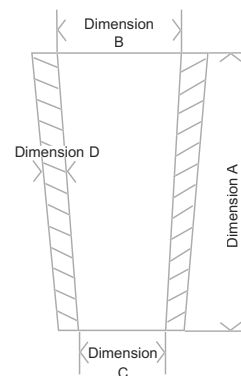
TT



Plastazote cone for trans-tibial cosmesis.

Part Numbers - 1

Dimensions				Number
A	B	C	D	
470	135	85	27	561014
470	155	85	27	561015
470	175	85	27	561012
Universal unshaped, 30/35mm				561077



Universal TT Fairing



Universal trans-tibial shape cosmesis foam fairing with ankle clearance.

Part Number

Fairing universal shaped, 480mm long **561099**

Part Number - 2

30mm TT 2 step PE foam block **560043**

Part Number - 3

30mm TT 2 step PU foam **560040**

Demountable



Trans-femoral foam for demountable knees.

Foam for ESK+, Smart IP and S-Series knees

Part Numbers

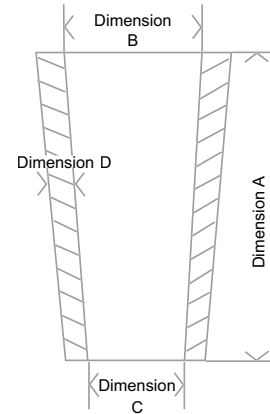
Fairing Shaped Small Left	561095
Fairing Shaped Small Right	561096
Fairing Shaped Large Left	561097
Fairing Shaped Large Right	561098

30mm pyramid based TF systems

Internal 55mm bore extends 200mm below knee centre	560031
Internal 55mm bore extends 50mm below knee centre (suitable for Compact SAKL)	560032

Fairing Universal Unshaped	561094
Universal Unshaped	561020

TF Thigh



Plastazote thigh fairing for upper part of discontinuous cosmesis.

Part Numbers

Dimensions

A	B	C	D	Number
450	175	115	27	561001
450	200	140	27	561004
450	190	140	12	561051
450	150	100	12	561052

Junior



Low density foam fairing for childrens' system.

Part Numbers

Universal unshaped, 25mm, standard	561078
Trans-tibial/ small Trans-femoral, (not shown)	
Preformed, Trans-femoral	561079
Fairing, Plastazote	561080

Orion3



Durafoam fairing with low resistance knee flexion section to optimise gait changes

Foam fairing with low resistance knee flexion region.

Part Number

Orion3 knee fairing	561093
---------------------	---------------

Wheelchair



Pre-shaped wheelchair cosmetic. Available in UK only.

Part Number

Pre-shaped cosmetic limb	560030
--------------------------	---------------

Mercury Discontinuous



Part Numbers

Description	Dimension Distal	Proximal	Wall Dimension	Parts
Shin Fairing (1)	85 mm	135 mm	27mm	561014
Shin Fairing (1)	85 mm	155 mm	27mm	561015
Shin Fairing (1)	85 mm	175 mm	27mm	561012
Thigh Fairing (2)	115 mm	175 mm	27mm	561001
Thigh Fairing (2)	140 mm	200 mm	27mm	561004
Thigh Fairing (2)	140 mm	190 mm	12mm	561051
Thigh Fairing (2)	100 mm	150 mm	12mm	561052
Shin Sleeve (3)				580048
Knee ball small (4)				572501
Knee ball medium (5)				572502
Support sleeve (6)				572504



Pyramid version
not shown

Distal Attachment and Cylinders	Discon Small *100mm with Cylinder	Discon Medium *110mm with Cylinder	Discon Small *100mm no Cylinder	Discon Medium *110mm no Cylinder
30mm Distally	MHD30S	MHD30M	239037	239038
Pyramid Distally	MHDPYRS	MHDPYRM	239040	239041
Supplied with knee ball and support sleeve. Shin only - 239752			Knee details on page 23	

Discontinuous



Discontinuous cosmesis articulates at the knee without affecting function. Robust for active users.

Part Numbers

For use with ESK+, will allow up to 140° flexion	579719
For use with ESK+, 160H will allow up to 120° flexion only. Not suitable for ESK with Manual Knee Lock	579819
Knee ball assembly (contained within kit No. 579719)	579419

Non-Definitive TT



Pre-shaped plastic cosmeses for temporary use.

Part Numbers

Cosmetic cover, small	580011
Cosmetic cover, medium	580014
Cosmetic cover, large	580017

TT Fabric



Part Numbers

Size	Foot Size	Colour Code	Light Tone	Medium Tone	Dark Tone
1	22 - 25	Yellow	571251	571253	571252
2	24 - 27	Blue	571261	571263	571262
3	26 - 30	Red	571271	571273	571272

 Supplied in packs of two

TF Fabric



Part Numbers

Size	Foot Size	Colour Code	Light Tone	Medium Tone	Dark Tone
1	22 - 25	Yellow	571201	571203	571202
2	24 - 27	Blue	571211	571213	571212
3	26 - 30	Red	571221	571223	571222

 Supplied in packs of two

HD Fabric



Part Numbers

Size	Foot Size	Colour Code	Light Tone	Medium Tone	Dark Tone
4	26 - 30	Green	571231	571233	571232

 Supplied in packs of two

Stockings



Part Numbers

Unseamed toe, white nylon, 30 denier x 1.25m **909209**

Unseamed toe, brown nylon, 30 denier x 1.25m **909212**

Supplied in packs of two

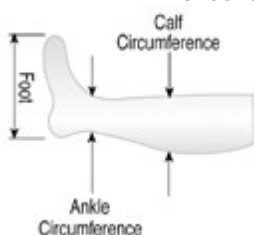
RPVC - TT



Part Numbers

Circumference

Size	Calf	Ankle	Foot	Light Tone	Medium Tone	Dark Tone
X. Small	295	185	22-24	571081	571083	571082
Small	335	225	23-25	571091	571093	571092
Medium	345	225	25-27	571101	571103	571102
Large	355	235	27-28	571111	571113	571112
X. Large	355	235	29-30	571161	571163	571162
Medium shin, regular ankle, footless					570030	
Medium shin, small ankle, footless					570035	
Medium shin, regular foot					570049	



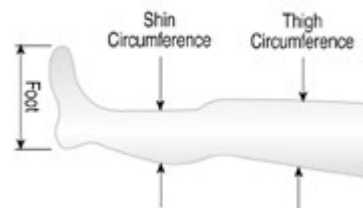
RSi - TF



Part Numbers

Circumference

Size	Thigh	Shin	Foot	Light Tone	Medium Tone	Dark Tone
Sml ladies	420	320	23-24	571041	571043	571042
Med ladies	460	355	23-24	571051	571053	571052
Sml mens	420	320	25-26	571001	571003	571002
Med mens	460	355	25-26	571011	571013	571012
Lrg mens	490	400	26-28	571021	571023	571022
X. Lrg mens	545	400	26-28	571031	571033	571032



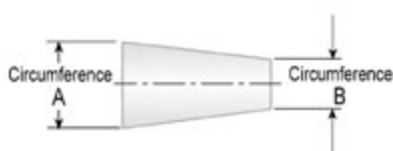
RPVC/RSi



Part Numbers

Description

Size	A	B	Light Tone	Medium Tone	Dark Tone
Small	485	295	571121	571123	571122
Medium	580	365	571131	571133	571132
Large	690	450	571141	571143	571142
X. Large	800	510	571151		571152



RPVC (discon.)



Part Numbers

Circumference

Size	240mm above KC	
Light Tone		
Ex. Small	360	570063
Small	390	570001
Medium	410	570006
Large	430	570011
X. Large	520	570016



One Shot



Carbon fibre socket kit, single lamination lay up that is tested to 150kg for moderate activity. Available in both male and female pyramid version.

User weight/ Activity Level: 145kg/ 1-4
150kg/ 1-3

Part Numbers

One shot socket Male Pyramid 15cm	109109
One shot socket Male Pyramid 20cm	109209
One shot socket Female Pyramid 15cm	109309
One shot socket Female Pyramid 20cm	109409

General Items

Description	Width	
Carbon fibre tape	38	909223
Carbon fibre tape	75	909222
High density plastazote		905216
Glass needle mat		909201
Glass fibre stockinette	100	909202
Glass fibre stockinette	150	909203
Glass fibre stockinette	200	909204
Glass fibre stockinette	300	909205
Nylon stockinette	100	909103
Nylon stockinette	150	909107
Non-woven terylene felt		909100
Polyester resin, rigid		905001
Polyester resin, flexible		905002
Accelerator		905003
Catalyst		905004
Pigment, flesh		927301
Acrylic resin, ready mixed 80/20 (4.6 kg)		905100
Acrylic resin, C (0.9 kg)		905102
Hardener powder (0.15 kg)		905106
Sealing resin (0.9 kg)		905110
Colour paste, light/skin		905115
Colour paste, white		905116
Colour paste, brown		905117
Hard foam H300 (4.6 kg)		905121
Hardener for H300 (4.6 kg)		905131
Cast resin 103P (4.6 kg)		905140

Hip disarticulation support plate

Carbon fibre plate lay-up kit	099933
-------------------------------	--------

Locks



Endolite socket lock.

Part Numbers

Socket Lock for use with Silicone Sockets (supplied with M10 Lock Rod)	109108
Lock Rod Assembly M10	109308
Lock Rod Assembly 1/4" UNC	109408

Valves



Part Numbers

Trans-femoral Suction Socket Valve Kit Standard 19mm dia. orifice	099132
Large 24mm dia. orifice	099134
Trans-femoral, Flexible Socket Valve Kit Large 24mm dia. orifice	099135
Teufel Valve Kit with valve* Long	099012
Teufel Valve Kit with valve* Short	099013
Teufel Valve Kit without valve* Long	099014
Teufel Valve Kit without valve* Short	099015

*Teufel Valve not available in the UK.

EchelonVAC Accessories

Lyn Valve BK2	929052
Threaded Housing	929053
One-way check valve	929054
In-line filter	929051
Vacuum tubing 1m length	905464
Socket Connection Kit	409663
Check Valve Service Kit	409863

Flexible Thermoplastic



Plastics for Thermoformed sockets.

Polyethylene PE MPE PLUS

Part Numbers

Size	Thickness	Part Number
305 x 305	6	904263
305 x 305	9	904264
343 x 343	6	904266
343 x 343	9	904267
406 x 406	6	904260
406 x 406	9	904261
420 x 460	9	904268

Seaflex



Seaflex flexible thermoplastic socket material
Polyolefin elastomer.

Part Numbers

12.7 x 406	SFLEX40012.7N100
12.7 x 406	SFLEX40012.7N200
12.7 x 406	SFLEX40012.7N300
16 x 406 S	FLEX40016N200
9.5 x 406	SFLEX4009.5N300
1220 x 812 x 9.5	SFLEX9.5N100
1220 x 812 x 9.5	SFLEX9.5N200
1220 x 812 x 9.5	SFLEX9.5N300

Laminated Sockets ISNY type Trans-femoral
Frame lamination kit, 4mm core (long stump) **932362**

Liner Materials



Cross linked expanded polyethylene foam
(160 kg/m³).

Part Numbers

Sheet Size	Thickness	Part Number
950 x 950	2	NFOAM2F170
950 x 950	2	NFOAM2W170
950 x 950	3	NFOAM3F170
950 x 950	3	NFOAM3W170
950 x 950	5	NFOAM5F170
1000 x 1000	5	NFOAM5W170
950 x 950	7	NFOAM7F170
1000 x 1000	7	NFOAM7W170

Flesh colour cross linked expanded polyethylene foam
(33 kg/m³)

Sheet Size	Thickness	Part Number
1000 x 2000	12	905227
1000 x 2000	27	905226
1000 x 2000	30	905228

Flexible socket liner with "silver shield" EVA/low density polyethylene

Sheet Size	Thickness	Part Number
343 x 343	9	NVANESQ3439N24
343 x 343	12	NVANESQ34312N24
406 x 406	6	NVANESQ4006N24
406 x 406	9	NVANESQ4009N24
406 x 406	12	NVANESQ40012N24

Important

In accordance with COSHH regulations Safety Data Sheets are available on all parts listed in this Section. Copies of relevant Data Sheets are available on request. Note: Hazardous and Inflammable Products. Certain products listed in this section are hazardous and/or inflammable and may be subject to transport restrictions. Our customer service department will confirm whether or not products can be dispatched by your chosen method.

Socket Materials



Extruded natural polypropylene homo-polymer.

Part Numbers

Size	Thickness	Part Number
343 x 343	12	HPPSQ34312N
406 x 406	12	HPPSQ40612N
406 x 406	15	HPPSQ40615N

Extruded natural polypropylene co-polymer

Size	Thickness	Part Number
305 x 305	12	CPPSQ30512N
305 x 305	12	CPPSQ30512F
343 x 343	12	CPPSQ34312N
343 x 343	12	CPPSQ34312F
343 x 343	15	CPPSQ34315N
343 x 343	15	CPPSQ34315F
406 x 406	12	CPPSQ40612N
406 x 406	12	CPPSQ40612F
406 x 406	15	CPPSQ40615N
406 x 406	15	CPPSQ40615F
420 x 460	15	CPPSQ46042015N
420 x 460	15	CPPSQ46042015F

Note: N = natural F = flesh

Semi-rigid diagnostic thermoplastic sockets.

Compression moulded PETG co-polyester.

Size	Thickness	Part Number
305 x 305	6	NPLEXSQ3056
305 x 305	9	NPLEXSQ3059
343 x 343	9	NPLEXSQ3439
406 x 406	6	NPLEXSQ4066
406 x 406	9	NPLEXSQ4069
406 x 406	12	NPLEXSQ40612
406 x 406	15	NPLEXSQ40615
420 x 460	9	NPLEXSQ4604209

Semi-rigid thermoplastic reinforcing socket pads - flesh colour polypropylene co-polymer.

Pad, reinforcing plate, suspension TF PP socket	090015
Pad, reinforcing plate, suspension and release control TF PP socket	090016
Pad, reinforcing plate, thigh release control TF PP socket	090021

Roehampton



Silesian style suspension system.

Part Numbers

Roehampton Soft Suspension Kit (Silesian)

029127

Sundries

Important

In accordance with COSHH regulations Safety Data Sheets are available on all parts listed in this Section. Copies of relevant Data Sheets are available on request. Note: Hazardous and Inflammable Products. Certain products listed in this section are hazardous and/or inflammable and may be subject to transport restrictions. Our customer service department will confirm whether or not products can be dispatched by your chosen method.

Stockings



- Unseamed, white nylon, 30 denier x 1.25m **909209**
 Unseamed, white nylon, 22 denier x 1.25m **909210**
 Unseamed, brown nylon, 30 denier x 1.25m **909212**



- Nylon tubular 10cm - 50m roll **909103**
 Nylon tubular 15cm **909107**
 Cotton 4" - 10m roll **930004**
 Cotton 6" - 10m roll **930007**

Spatulas



- Spatula, wood **937040**

Sundries



- Casting pants, hip disarticulation (shown) **609175**

Casting Tights (Pink)



- Size large pink ballet tights 100% stretch polyimide (nylon) **932340**
 Size extra large pink ballet tights 100% stretch polyimide (nylon) **932341**

Velcro Tape



- Hook type self adhesive, 19mm (3/4") wide **909507**
 Loop type self adhesive, 19mm (3/4") wide **909508**

Tape



- Self adhesive, 50mm (2") double sided cloth **926401**
 Self adhesive, 25mm (1") clear PVC **926422**
 Cloth 50mm (2") **926402**

Stump Socks



- Stump sock cotton 12" **932310**
 Stump sock cotton 22" **932315**
 Stump sock for thermoforming sockets **932327**

- Body sock for hip disarticulation:
 Large, 65cm long, green stitching (BS01) **572001**
 Medium, 55cm long, red stitching (BS02) **572002**
 Small, 50cm long, blue stitching (BS03) **572003**

Pots



Mixing 16oz, polypropylene
Mixing 64oz, polypropylene

936030
936033

Cups



Paper chinacote, 9 fl. oz
Paper waxed, 24 fl. oz

937080
937081

Latex Cones



Latex, small
Latex, medium
Latex, large

940625
940626
940627

Tubigrip



Size F (10cm)
Size L (32.5cm)

930002
930015

Adhesives



Adhesive, Loctite 222	926001
Adhesive, Loctite 243	926012
Endolite structural adhesive	926162
Adhesive, Loctite IS424	926104
Adhesive, Dunlop Thixofix	926204
Adhesive, Evostik 528	926213
Loctite 638 retainer	926005
Coyote Quick Adhesive 50cc	CD4150
Mix tips 6 pack (for CD4150)	CD401
Mix tips 20 pack (for CD4150)	CD402
Quick Adhesive Dispenser (for CD4150)	CDDMA51

Lubricants

STP oil treatment	928105
Sealant, silicone rubber RTV108	928320
Release agent, anti-stick spray	928404
Petroleum jelly	928001
Greasil 4000	928009
Rubber and nylon lubricant	928107
Grease-PTFE Impregnated-380g (Foodlube)	928018
Grease-PTFE Impregnated-4kg (Foodlube)	928017
Rocol sapphire endure	928015



Tools and Equipment

The fabrication process for Endolite limb systems has been taken into account in the design and in order to minimise fabrication time there are a number of specialised tools available to facilitate fast and accurate assembly. We recommend that the specialised tooling be routinely employed to ensure efficient fabrication and optimal performance for the user. All tools necessary for the manufacture of Endolite limbs are included in this section.

Personal Protection Equipment

The equipment offered is included as a service to our customers, however the responsibility remains for the user to ensure that adequate precautions are taken to meet local regulations and to provide an acceptable level of protection. Copies of relevant data sheets are available on request.

Cast Equipment



Wall frame **941104**



Wall frame clamp **941240**



Cast taper mandrel **941105**



Cast wrap holder
Trans-femoral **941106**
Trans-tibial **941107**



Socket alignment
mandrel, trans-femoral **941108**



Vertical cast holder support **941112**

Cast Stems

- 175mm **941134**
- 250mm **941135**
- 325mm **941136**
- 400mm **941137**
(threaded)



Cast support taper **941110**
Cast support taper for
plaster bench (not shown) **941218**

Socket Tools



Align mandrel for
polypropylene container **941113**



Cast build up former
dummy knee **941109**
Small dummy knee **941167**
(used with former 940637)



Children's cast build up
former, dummy knee large/small
(use with formers 940665 and 940666) **940671**

Drape Tables



Vacuum bench **941503**
(includes 941129 drape table small
and 941131 drape table large)
Vacuum pump **941801**
Foot operated switch
for vacuum bench **941706**



Small (TT and TF) **941129**
Large (TF and hip disartic') **941131**
Drape table (hip disartic') **941183**



Stem for drape tables **941133**

Drape Formers



Trans-femoral **940636**
Small trans-femoral **940637**

Drape Former and Spigots



Small, trans-tibial **940638**
(reducing alignment) -
Large TT **940647**
Children's small TT and TF **940665**
Children's large TT and TF **940666**

Tools

Valve Formers



Teufel valve assembly tool **940021**



Teufel boss former **940635**

Socket Former Kits



O rings for 940661 **924146**
For laminated sockets **940661**
(all formers)

Standard trans-femoral **940673**

Standard trans-tibial **940675**

Small trans-tibial **940676**

Standard trans-tibial **940675**

Ankle disarticulation **940678**

Children's for laminated **940672**

sockets all formers

Children's large trans-femoral **940679**

and large trans-tibial

Children's small trans-femoral **940680**

and standard trans-tibial



Vacuum post for laminating **941158**

Drape Frames



342mm sq., blank **941114**

305mm sq., blank **941117**

406mm sq., blank **941118**

420 x 460mm, blank **941119**

Spacer (use with 941114) **941174**

Spacer (use with 941117) **941175**

Spacer (use with 941118) **941176**

Spacer (use with 941119) **941177**

Drape Ovens



250 volts, 50Hz **941500**
110 volts, 60Hz **941502**



Timer, digital countdown **940320**



Hot air welding gun **940311**



Replacement blades **940571**
for hot knife



Socket end trimming cutter **940407**

Replacement blade set **940414**

Blade setting block **940642**

Hole Cutters



27mm dia. **940582**

30mm dia. **940583**

25mm dia. **940584**

46mm dia. **940585**

19mm dia. **940586**

Cutting Tools



12mm dia. **940403**
21mm dia. **940404**

Flap Brushes



Fine **937025**
Medium **937026**



Flattening cutter **940408**



Routing cutter, cylindrical **940817**
ball nose

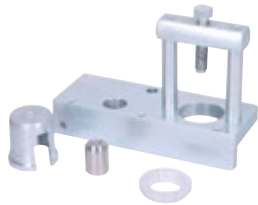
Jigs



Mandrel support - **941120**
side assembly

Tools

General Tools



- Multiflex ankle assembly jig **941125**
 Replacement cup **941170**
 Replacement pot housing **941215**
 Replacement bridge and screw set **941182**
 Replacement split collet **941169**



- Pot housing for pyramid ankles (as shown) **941239**
 (kit) Adapter for 125kg Multiflex ankles both for use with 941125 **941241**



- Ankle socket wrench **940022**



- Multiflex ankle extractor cup, universal **941214**
 Snubber assembly tool **940083**



- Multiflex ankle snubber assembly tool **941127**

Foot Spanners



- 9/16" AF socket (inc. tommy bar) **940023**
 5/16" AF driver (inc. tommy bar) as shown **940079**



- Circlip pliers, ankle **940327**

Cutting Jigs



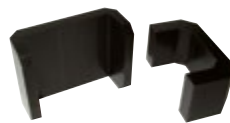
- 30mm dia. tube Linx pylon cutting jig **941237**
 Children's 25mm dia. tube **941257**
941238



- Dummy pin for Stanceflex strap **940049**



- Location pin, trans-femoral for SFESK **940050**
 Dummy roll pins **940049**
 Dummy pin - KX06 cylind **940084**
 T20 Torx 3/8" drive bit **940274**



- Rear link clamp **941250**
 Body clamp **941251**
 Both, for KX06 **941252**
 KX06 cylinder exchange tool kit **941254**



- Elite blade and javelin cutting/drill and fitting jig **941255**



- VT cutting/drill and fitting jig **941256**

Miscellaneous Tools



- 2mm AF, 940250 2.5mm AF **940248**



- 2.5mm AF Hex Driver for ESK+ adjustment **940088**



- Nut spinner 5.5mm (7/32") AF **940272**



- Peg spanner, pivot pins (2 required) **940054**



- Peg spanner, ankle disarticulation **940060**

Combination Spanner



- Spanner, 6 x 6mm AF, PSPC **940270**



- 10mm AF **940261**
 13mm AF **940273**
 Alignment (single bolt) **940012**

Please contact Customer Services for the lead-times on these items.

Tools

Drills



6mm dia.
4.2mm dia.
9mm dia.

940514
940516
940519

Hex Key



1.5mm AF
2mm AF
2.5mm AF
3mm AF
4mm AF
4mm AF (Elite foot)
5mm AF
6mm AF
8mm AF
5/16" AF

940232
940233
940234
940235
940236
940080
940237
940238
940239
940211



Valve spanner (for valves
099132/4/5)

940047



TT locking ring spanner

940070



Hydraulic knee
control spanner

940091

Torque Wrench



Torque wrench and
adapter kit ☎ 940057
Torque wrench 940056
Extension ring spanner 940058
Extension bar 3/8" sq, 940296
Hex. socket 9/16" AF 940226
Hex. socket 5/16" 940229
sq. socket
Screwdriver socket 5/16" 940230
sq. socket
Screwdriver socket 5mm AF 940266
Screwdriver socket 6mm AF 940267
Screwdriver socket 4mm AF 940271
Torque spanner adapter 940081
for Elite foot type heel (not shown)



Torque wrench 940056

Personal Protection

Hands



Heavy duty gloves,
terry cloth 939000
Rubber Gloves:
Gauntlet, size 9 939001
Gauntlet, size 10 939002
Medium 939004
Large 939005
Disposable gloves, large 939007
Oven gloves, (Kevlar)
gauntlet, lined 939009
Gloves, black 939042
heavyweight, medium
Gloves, cotton 939050

Eyes



Safety glasses, blue 939073
Goggle, chemical 939014
Panoramette
Replacement lens 939016
for 939014
Spectacles, safety 939072
BS2092/1

Ears



Earmuff - liquid filled 939030
E.A.R. model 200 caps 939032
E.A.R. cabocord foam
ear plugs 939031

Respiration



Safety mask, disposable 939019

Clothing



Apron, green polythene,
50cm long, 100 per roll 939060

☎ Please contact Customer Services
for the lead-times on these items.

AFT Workshop Equipment

AFT is a long-established provider of rehabilitation equipment and machinery. Their product offering includes a comprehensive range of workshop, plaster room and clinic equipment that is excellent quality and competitively priced.

To explore the full AFT Catalogue go to <http://www.aft-international.de/en/katalog-01.html>.

For more information or to place an order, please contact your Education and Training Representative or Blatchford Customer Services on +44 (0) 114 263 7900.

These products are available through Blatchford in the UK only. The full AFT product range is vast but here are a few examples of the kinds of products that are available through Blatchford in the UK.

Clinic Equipment



Ovens



Routing, Lamination, Plaster Room and Extraction



Workshop Equipment



Workshop Design, Planning and Equipping

In partnership with AFT, Blatchford will also offer a complete design and installation service for new or refurbished areas in addition to providing service packages to support equipment once installed.



Integrated Limb System					
Linx	12,13				
Knees					
Aqualimb TF	34,35				
Compact SAKL	32,33				
ESK+	24,25				
ESK+ MKL	26,27				
KX06	20, 21				
Mercury	22,23				
Orion3	16,17				
S200	28				
S400	29				
S500	30				
SmartIP	18,19				
Feet & Ankles					
Aqualimb TT	76,77				
Avalon ^{K2}	62,63				
BladeXT	58,59				
Echelon	44,45				
EchelonVAC	40,41				
EchelonVT	42,43				
Elan	38,39				
Elite Blade	54,55				
Elite BladeVT	56,57				
Elite2	46,47				
EliteVT	48,49				
Epirus	50,51				
Esprit	52,53				
Javelin	60,61				
Multiflex Slim	68,69				
Multiflex Special Edition	70,71				
Multiflex Standard	66,67				
Navigator	64,65				
Senior	74,75				
SuperSACH	72,73				
Junior					
Child's 4-bar Knee	82,83				
Mini BladeXT	80,81				
Child's TT system	84				
Child's socket attachment	84				
Child's TF alignment kit	84				
Child's ankle disarticulation kit	84				
Ankle clamp for Childsplay	84				
Pylon adapter for Childsplay	84				
Child's SACH foot adapter	84				
Pylon adapter for SACH foot	84				
TT upper housing	84				
M30 Child's Adaptor for 4 Bar Knee	84				
M30 4 Prong Laminate Adapter	84				
Female Mini Pyramid Pylon	84				
Controls					
Cylinder fitting kit for KX06	93				
Fitting Kit for PSPC	93				
Fitting Kit for Smart IP	93				
Fitting Kit for Mercury Knee	93				
		Page		Page	
		Swing and Stance Cylinder for KX06	92	Liners	
		Swing and Stance Cylinder for Mercury Knee	92	3D Knitted Sleeve	118
		Swing Cylinder for KX06	92	Endolite Comfort Liner - Cushion	117
		Swing Cylinder for Mercury Knee	92	Endolite Comfort Liner - Locking	117
		Swing Cylinder for SmartIP	92	Parasil Liner	118
				Silcare Breathe Liner	116
				TT Suspension	119
		Adapters		Cosmesis	
		4-bolt adapter kit TF -		Ankle Fairings	122
		Endolite chassis to 4-bolt	96	Demountable Knee Fairings	123
		Cup & Strut kit TF- Endolite dome	97	Discontinuous	125
		Cup & Strut kit TF- full alignment	97	HD Fabric covers	126
		Full alignment kit TF - Short Knee	96	Junior Fairings	124
		Full alignment kit TF -		Mercury Discontinuous	125
		4-bolt ESK+ and Mercury	96	Non-Definitive TT	125
		Full alignment kit TF - Endolite dome	96	Orion3 Knee Fairing	125
		Full alignment kit TF - KX06	96	RPVC - TT	127
		Full alignment kit TT - Endolite dome	96	RPVC/Rsi	127
		KX06 adapter kit	96	RSi - TF	127
		M36 Adapter	96	Stockings	126
		Non-rotating male pyramid adapter	96	TF Fabric covers	126
		Pyramid 4-bolt	96	TF Thigh Fairing	123
		Pyramid female - Endolite dome	96	TT Fabric covers	126
		Pyramid female - Endolite knee chassis	96	TT Fairings	122
		Pyramid female - sliding	96	Universal TT Fairing	122
		Pyramid female - sliding & rotating	96	Wheelchair cosmetic	124
		Pyramid female short -			
		Endolite knee chassis	96	Socket Technology	
		Pyramid male - Endolite dome	96	One shot Socket	128
		Pyramid male - Endolite knee chassis	96	Roehampton	130
		Pyramid male - sliding	96	Seaflex	129
		Pyramid male - sliding & rotating	96	Socket Liner	129
		Pyramid male 4-bolt	96	Socket Lock	128
		TT lamination anchor	96	Socket Materials	130
		Turntable kit TF	96	Socket Valves	128
		Wood adapter TF	96	Thermoplastic	129
		Tubes and Adapters		Workshop Equipment	
		Ankle disarticulation kit -		Adhesives	132
		Endolite dome	104	Cast Equipment	133
		Blade top housing TT female -		Cast Stems	133
		sliding & rotating	104	Cutting Jigs	135
		Brio	111	Cutting Tools	134
		High strength pylon 30mm	104	Drape Former and Spigots	133
		High strength tube adapters	104	Drape Formers	134
		Multiflex Ankle	109	Drape Frames	134
		Multiflex Ankle/Seattle		Drape Ovens	134
		Lightfoot connector	104	Drape Tables	133
		Multiflex TT Kit	104	Flap Brushes	134
		Pylon 30mm	104	Foot Spanners	135
		Pylon adapter 30mm -full alignment	104	General Tools	135
		Pylon adapters pyramid female	104	Hole Cutters	134
		Top housing TT 30mm	104	Jigs	134
		TTPro	113	Misc. Tools	135
		Tube clamp adapter pyramid		Personal Protection	136
		female 30mm	104	Socket Former Kits	134
		Tube clamp double female/		Socket Tools	133
		female adapter	104	Sundries	131
		Tube clamp double female		Valve Formers	134
		/male adapter	104		

Warranty Listing

Integrated Limb System	
Linx	36 months*
Knees	
Orion3	36 months*
SmartIP – all variants	36 months
KX06	36 months
Mercury – all variants	36 months
ESK+ - all variants, brake band 12 months only	24 months
Compact SAKL	24 months
Aqualimb TF	24 months
S200	24 months
S400	24 months
S500	24 months
Feet	
Elan	36 months*
BladeXT (excluding paintwork and sole cover)	12 months
Mini BladeXT (excluding paintwork and sole cover)	12 months
Elite BladeVT	36 months
Elite Blade	36 months
EliteVT	36 months
Elite2	36 months
EchelonVT	36 months
Echelon	36 months
EchelonVAC	36 months
Javelin	36 months
Epirus	36 months
Esprit	36 months
Navigator	24 months
AvalonK2	24 months
Multiflex - all variants	24 months
Super SACH	24 months
Senior	24 months
Aqualimb	24 months

Controls	
SmartIP	36 months
PSPC	24 months
Endolite Hydraulic Cylinders - all variants	36 months
Service Exchange Products	
Endolite units - all variants	12 months
SmartIP	18 months
Ankles, Adapters and Shins	
Multiflex Ankles	24 months
Ankle Snubbers	3 months
Brio30	24 months
All Adapters & Tubes	24 months
Shins	24 months
TT Pro – all variants	24 months
Liners and Sleeves	
Silcare Breathe Liners	6 months
Endolite Comfort Liners	6 months
Suspension Sleeves	1 month
Foot Shells and Cosmesis	
Foot Shell	12 months
Cosmetic Items (Fairings, Coverings, Kneeballs etc)	1 month
Glide Sock	3 months
Ancillary Products	
Tooling	12 months
Test Equipment	12 months
Ovens and Hot Air Guns	12 months
Proprietary items	Manufacturer's Warranty

See Blatchford website for current full warranty statement.

Warranty periods commence from the original date of shipment unless otherwise stated.

Note: Any warranty on repaired or replaced items is governed by the original date as the remaining warranty period from the original purchase must be maintained.

* Extended warranty is available on request; contact your service provider.

Global Warranty Statement

Chas. A. Blatchford & Sons Limited and Subsidiaries (Blatchford) warrants Endolite Prosthetic Products against defects in material and workmanship.

The warranty period applies from the original date of product shipment unless otherwise specified.

In the event that a defect is discovered during the warranty period, Blatchford will, at its discretion, either repair or replace the affected part with another part equivalent in basic function or refund the purchase price of the affected part only. The warranty of the repaired or replaced part is limited to the remaining warranty period from the original shipment date of the part.

The warranty coverage is limited to the cost of the original failed part and excludes all associated or related costs. For the sake of clarity, the phrase "all associated or related costs" includes but is not limited to associated parts, assembly and disassembly costs, transport costs, travel and handling costs and any form of compensation.

The warranty policy excludes failure resulting from misuse, accidental damage, neglect, wear and tear, unapproved component modifications, incorrect assembly and unless otherwise specified, immersion in water. Specific limitation of use as detailed in the documentation supplied with the product must be complied with.

Blatchford makes no other express warranty or condition, whether written or oral to the extent allowed by local law, any implied warranty or condition of merchantability, satisfactory quality, or fitness for a particular purpose is hereby disclaimed. Some countries/regions, states, or provinces do not allow limitations on the duration of an implied warranty, so the above disclaimer may not apply to you. This warranty gives you specific legal rights, and you may also have other rights that vary from country/region to country/region, state to state, or province to province.

To the extent allowed by local law, the remedies in this warranty statement are your sole and exclusive remedies. except as indicated above, in no event will Blatchford or its suppliers be liable for direct, special, incidental, consequential, or other damage, whether based in contract, tort, or otherwise. Some countries/regions, states, and provinces do not allow the exclusion of incidental or consequential damages, so the above limitations and exclusions may not apply to you.

If the product comes with a Warranty Registration Form then this must be completed and returned to the company for the warranty to be effective.

To qualify for warranty the Warranty Claim Form must be fully completed and supplied with the affected part.

To return any product, please contact our Customer Services department to inform of the reason for return and to request an ACS number for the return.

Please be aware our Warranty Statement is subject to change; in all cases our current Warranty Statement is published on our website.

Notes

Follow Blatchford: | blatchford.co.uk
 @BlatchfordGrp | +44 (0) 114 263 7900
 /BlatchfordGrp | sales@blatchford.co.uk



Endolite is part of the Blatchford Group. Registered address, Chas A Blatchford & Sons Ltd, Unit D, Antura, Kingsland Business Park, Basingstoke, RG24 8PZ, United Kingdom. t: +44 (0) 1256 316600 f: +44 (0) 1256 316710



An annual visual inspection is recommended. Check for visual defects that may affect proper function. Maintenance must be carried out by competent personnel.